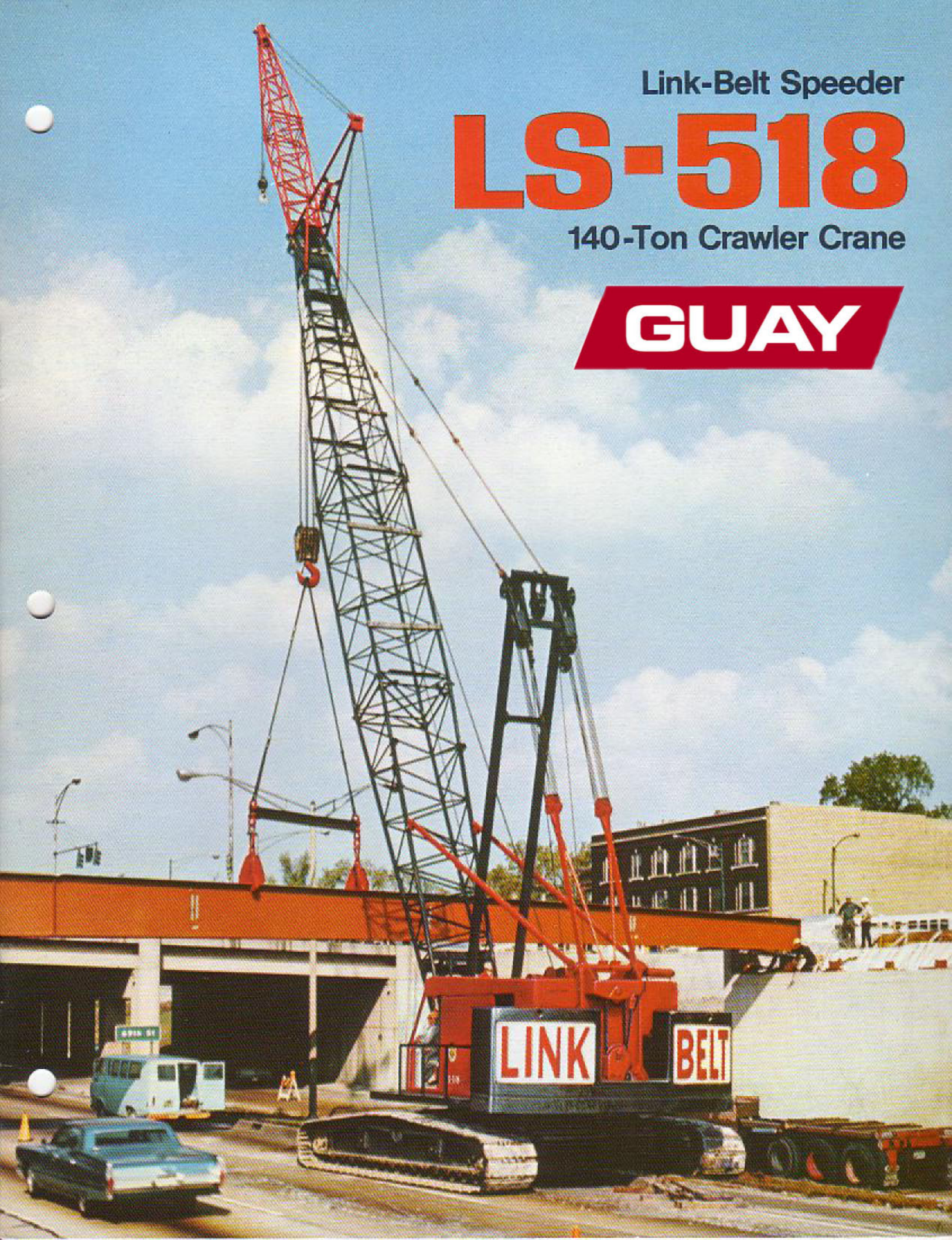


Link-Belt Speeder

LS-518

140-Ton Crawler Crane

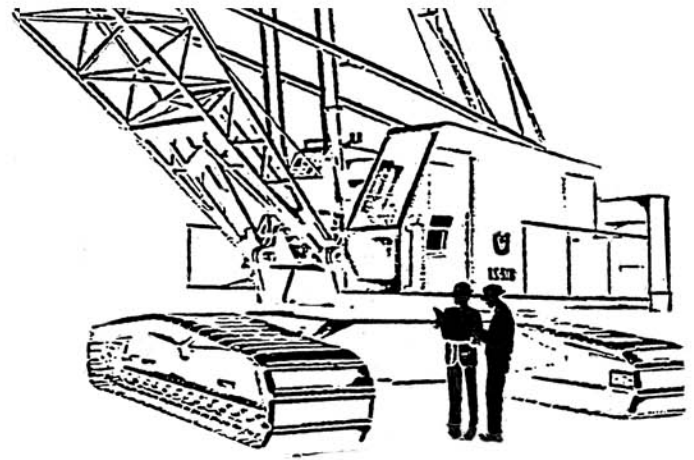
GUAY





Link-Belt Speeder

DIVISION OF FMC CORPORATION



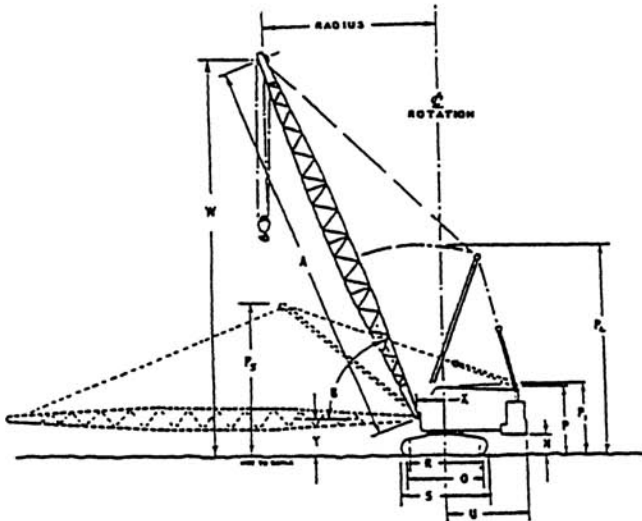
LS-518 FLYSHEET

CRAWLER MOUNTED CRANE

*Dimensions — Working ranges —
Specifications — Lifting capacities*

DIMENSIONS AND WORKING RANGES

Crawler — 16' 0" Gauge, 24' 4" Long Overall



Basic boom length	A	60' 0"
Boom angle	B	—
Height of boom hinge pin	Y	6' 7"
Radius of boom hinge pin	X	4' 8"
Height over boomhoist unit	P ₁	13' 4"
Height over vertical live boom mast	P ₂	39' 3"
Overall height, live boom mast with 60' boom horizontal	P ₃	25' 6"
Tail swing of counterweight "A" or "AB"	U	15' 10"
Ground clearance under counterweight "A" or "AB"	N	4' 3"
Crawler ground bearing length	O	22' 3"
Center to center of track drive sprocket and idler roller	R	21' 1"
Overall crawler length	S	24' 4"
Overall width, with 44" wide track shoes		19' 8"
Overall width, less side frames		17' 7"
Overall shipping width less side frames and catwalks (axes in line with upper)		11' 0"
Overall cab width (less catwalks and railings)		11' 0"
Overall height, side frames removed		11' 11"
Minimum ground clearance		1' 5"

Miscellaneous:

Swing speed	3.0 r.p.m.
Travel speed*	1.0 m.p.m.

Approximate lifting crane working weight, 60' "HI-Lite" tubular boom with heavy lattice, live boom mast, catwalks and railings, 44" wide track shoes, no hook block:

with cwt. "A"	183,500 lbs.
with cwt. "AB"	253,000 lbs.

* Optional planetary drive for higher speed (one direction) available.

MAXIMUM "HI-LITE" TUBULAR BOOM (OPEN THROAT TOP SECTION) AND BOOM/JIB MACHINE CAN LIFT OFF GROUND UNASSISTED — WITHOUT LOAD

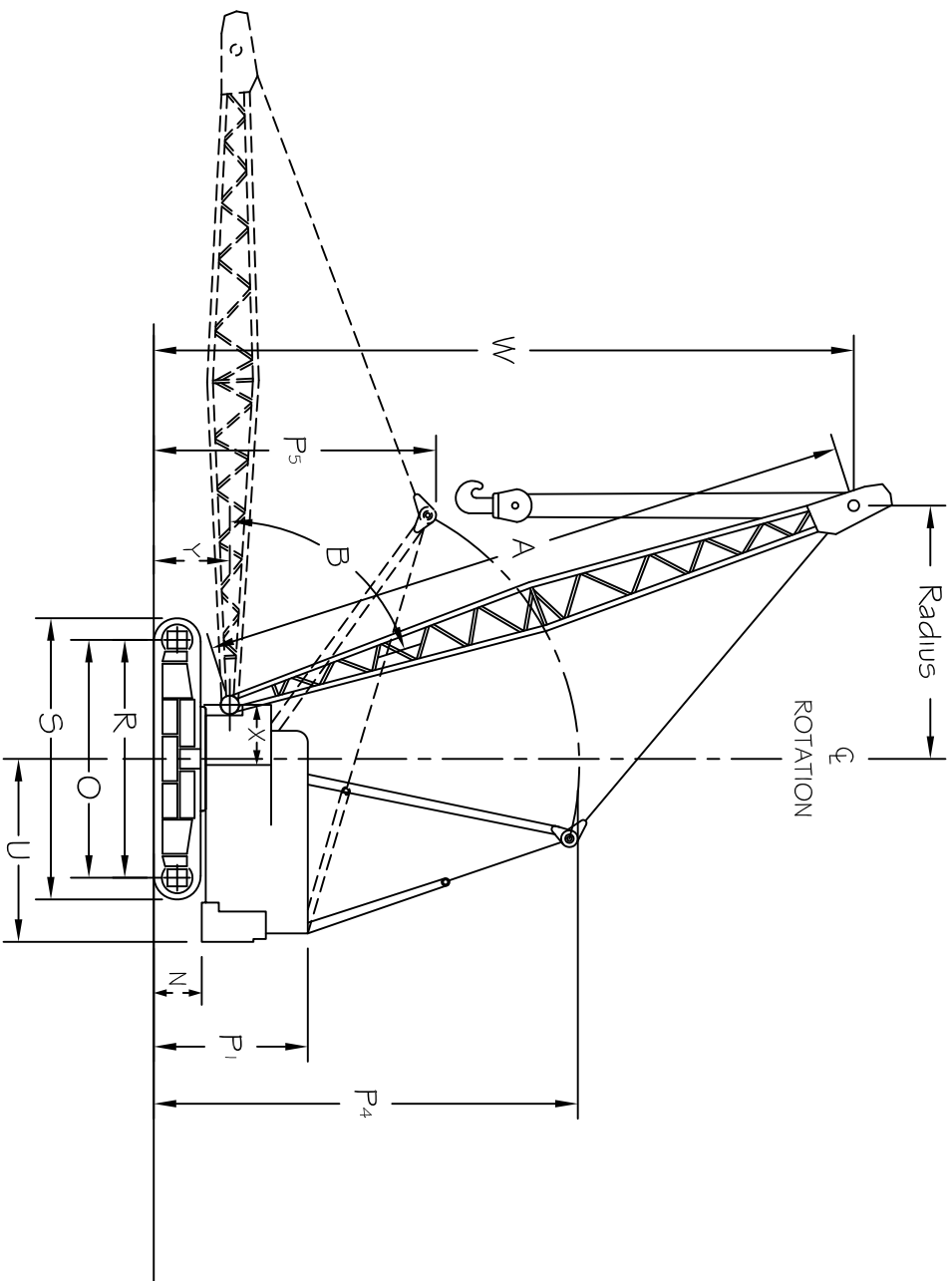
Lift Off Ground ^① (Equipped with live boom mast)	Cwt. "A"		Cwt. "AB"	
	Boom	Boom + Jib	Boom	Boom + Jib
Over ends	190'	170' + 45' or 160' + 70'	250'	230' + 70'
Over sides	170'	150' + 45' or 140' + 70'	240'	220' + 45' or 210' + 70'

① Hook blocks must be on ground until boom is higher than 12' above horizontal.

MAXIMUM "HI-LITE" TUBULAR BOOM (OPEN THROAT TOP SECTION) AND BOOM/JIB MACHINE CAN TRAVEL WITH — WITHOUT LOAD

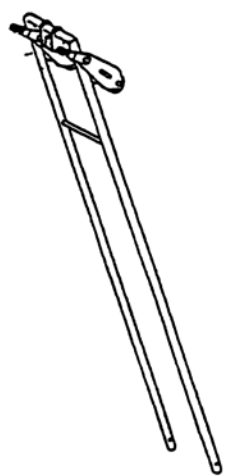
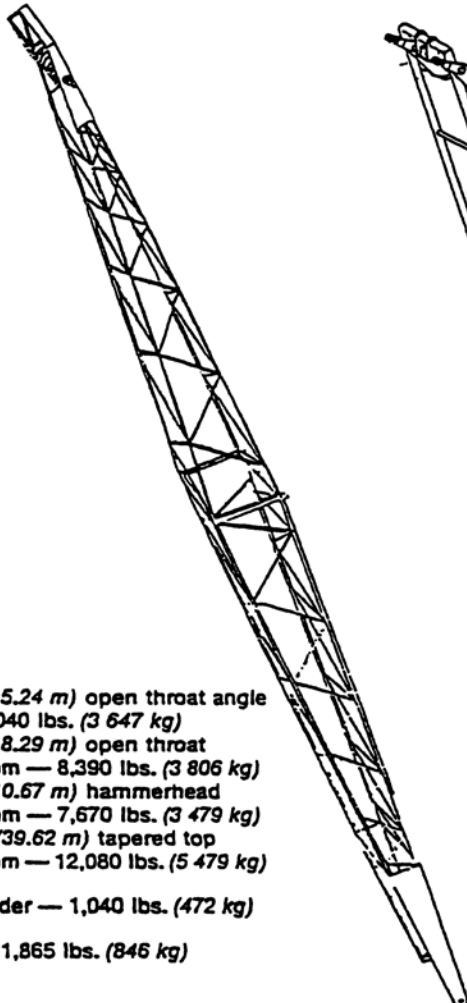
Boom/Jib Machine Can travel with ^② (Boom horizontal)	Cwt. "A"		Cwt. "AB"	
	Boom	Boom + Jib	Boom	Boom + Jib
Over ends	150'	130' + 30' or 120' + 70'	210'	190' + 30' or 180' + 70'
Over sides	130'	110' + 30' or 100' + 70'	190'	170' + 45' or 160' + 70'

② Hook blocks carried at boom and jib points. Based on 2,800# main hook block and 435# jib hook block or hook with overhaul weight.

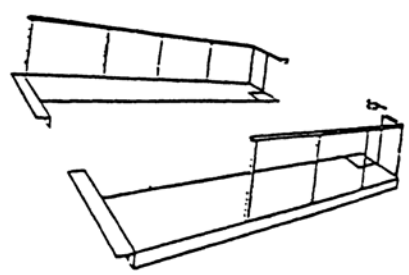


Dimension and working ranges		
Basic boom length	A	60'-0"
Boom angle	B	-
Height of boom hinge pin	Y	6'-7"
Radius of boom hinge pin	X	4'-8"
Height over boomhoist unit	P1	13'-4"
Height over vertical live boom mast	P4	39'-3"
Overall height, live boom mast with 60' boom horizontal	P5	25'-6"
Tail swing of counterweight "A" or "B"	U	15'-10"
Ground clearance under counterweight "Y" or "B" ...	N	4'-3"
Crawler ground bearing length	O	22'-3"
Center to center of track drive sprocket and idler roller	R	21'-1"
Overall crawler length	S	24'-4"
Overall width, with 44" wide track shoes		19'-8"
Overall width, less side frames		17'-7"
Overall shipping width less side frames and catwalks (axle in line with upper)		11'-0"
Overall cab width (less catwalks railings)		11'-0"
Overall height, side frames removed		11'-11"
Minimum ground clearance		1'-5"
Miscellaneous:		
Swing speed		3.0 r.p.m.
Travel speed		1.0 m.p.m.
Approximate lifting crane working weight, 60 "Hi-lift"		
tubular boom with heavy lattice, live boom mast		
Catwalks and railings, 44" wide track shoes,		
no hook block:		
With cwt. "A"		183,500lbs
With cwt. "AB"		253,000lbs

Weight deductions for transporting — approximate

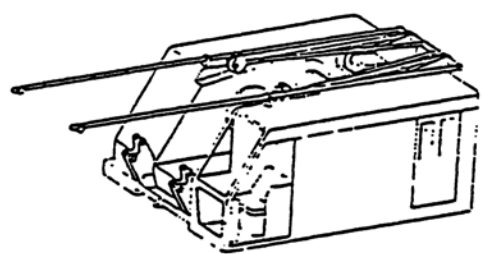


Boom live mast —
5,620 lbs. (2 549 kg)

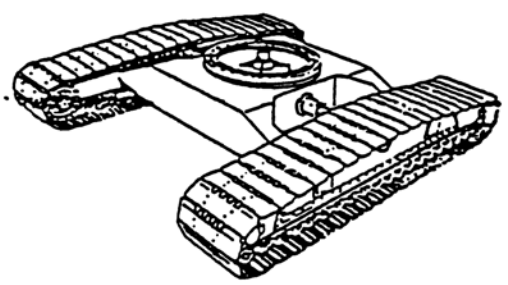


Catwalks — 1,600 lbs. (726 kg)

- Basic 50' (15.24 m) open throat angle boom — 8,040 lbs. (3 647 kg)
- Basic 60' (18.29 m) open throat angle boom — 8,390 lbs. (3 806 kg)
- Basic 35' (10.67 m) hammerhead angle boom — 7,670 lbs. (3 479 kg)
- Basic 130' (39.62 m) tapered top angle boom — 12,080 lbs. (5 479 kg)
- Line winder — 1,040 lbs. (472 kg)
- Head — 1,865 lbs. (846 kg)



Basic revolving upperstructure less counterweight — 65,700 lbs. (29 802 kg)

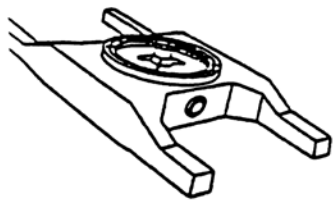


Complete crawler mounting with turntable bearing — 88,775 lbs. (40 268 kg)

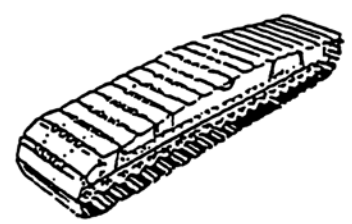


Counterweight "A" — 20,500 lbs. (9 299 kg)

Counterweight "B" — 69,500 lbs. (31,525 kg)



Lower frame with turntable bearing — 29,395 lbs. (13 336 kg)



One side frame with 44" (1.12 m) track shoes — 29,690 lbs. (13 647 kg)

Link-Belt® LS-518 lifting crane capacities

PSCA Class 15-773
Refer to Notes page 6

Boom — tubular, 62" x 70" (1.57 x 1.77 m)
with open throat; with boom live mast;
with boom midpoint suspension
pendants as required.

Crawler — 16' 0" (4.88 m) gauge,
24' 4" (7.42 m) over-all length.

Counterweights — 20,500# (9,299 kg)
ctwt. "A" or 90,000# (40,824 kg)
ctwt. "AB".

Length	Boom					Ctwt. "A"		Ctwt. "AB"	
	Radius		Angle	Boom Point Height [Ⓞ]		Pounds	Kilograms	Pounds	Kilograms
	Feet	Meters	Degree	Feet	Meters				
60' (18.29 m)	15	4.57	80.1	65' 6"	19.96	216,200	98,068	300,000*	136,080*
	16	4.88	79.1	65' 4"	19.91	187,300	84,959	288,500*	130,864*
	17	5.18	78.1	65' 2"	19.86	165,200	74,935	273,900*	124,241*
	18	5.49	77.2	64' 11"	19.79	147,600	66,951	260,500*	118,163*
	19	5.79	76.2	64' 8"	19.71	133,300	60,464	239,700	108,728
	20	6.10	75.2	64' 5"	19.64	121,400	55,067	218,700	99,202
	25	7.62	70.2	62' 10"	19.15	83,500	37,876	151,600	68,766
	30	9.14	65.0	60' 10"	18.54	63,100	28,622	115,400	52,345
	35	10.67	59.6	58' 3"	17.75	50,300	22,816	92,800	42,094
	40	12.19	53.9	54' 11"	16.74	41,500	18,824	77,300	35,063
	50	15.24	40.9	45' 9"	13.94	30,300	13,744	57,500	26,082
60	18.29	22.7	29' 8"	9.04	23,300	10,569	45,200	20,503	
70' (21.34 m)	16	4.88	80.7	75' 6"	23.01	187,700	85,141	284,700*	129,140*
	17	5.18	79.9	75' 4"	22.96	165,500	75,071	273,500*	124,060*
	18	5.49	79.0	75' 1"	22.88	147,800	67,042	260,100*	117,981*
	19	5.79	78.2	74' 11"	22.58	133,600	60,601	239,900	108,819
	20	6.10	77.3	74' 9"	22.84	121,600	55,178	218,900	99,293
	25	7.62	73.1	73' 5"	22.38	83,600	37,921	151,600	68,766
	30	9.14	68.8	71' 8"	21.84	63,200	28,668	115,400	52,345
	35	10.67	64.3	69' 6"	21.18	50,300	22,816	92,900	42,139
	40	12.19	59.7	68' 10"	20.37	41,500	18,824	77,300	35,063
	50	15.24	49.6	59' 9"	18.21	30,300	13,744	57,500	26,082
	60	18.29	37.8	49' 3"	15.01	23,300	10,569	45,300	20,548
70	21.34	21.0	31' 7"	9.63	18,600	8,437	37,000	16,783	
80' (24.38 m)	17	5.18	81.1	85' 5"	26.03	165,700	75,162	257,500*	116,802*
	18	5.49	80.4	85' 3"	25.98	148,000	67,133	253,500*	114,988*
	19	5.79	79.7	84' 11"	25.88	133,700	60,646	240,000	108,864
	20	6.10	79.0	85' 0"	25.11	121,700	55,203	219,000	99,338
	25	7.62	75.3	83' 9"	25.53	83,600	37,921	151,600	68,766
	30	9.14	71.5	82' 4"	25.09	63,100	28,622	115,400	52,345
	35	10.67	67.7	79' 5"	24.21	50,200	22,771	92,800	42,094
	40	12.19	63.8	78' 2"	23.83	41,400	18,779	77,200	35,018
	50	15.24	55.5	72' 2"	22.00	30,200	13,699	57,400	26,037
	60	18.29	46.2	64' 2"	19.56	23,300	10,569	45,200	20,503
	70	21.34	35.2	52' 7"	16.03	18,500	8,392	37,000	16,783
80	24.38	19.7	33' 2"	10.11	15,100	6,849	31,000	14,062	
90' (27.43 m)	19	5.79	80.8	95' 3"	29.03	133,800	60,692	231,100*	104,827*
	20	6.10	80.2	95' 1"	28.98	121,800	55,248	219,000	99,930
	25	7.62	76.9	94' 1"	28.68	83,600	37,921	151,500	69,129
	30	9.14	73.7	92' 9"	28.27	63,100	28,622	115,300	52,611
	35	10.67	70.3	91' 2"	27.79	50,100	22,725	92,700	42,299
	40	12.19	66.9	89' 2"	27.18	41,300	18,734	77,100	35,180
	50	15.24	59.8	84' 2"	25.66	30,100	13,653	57,300	26,146
	60	18.29	52.1	77' 5"	23.60	23,100	10,478	45,000	20,534
	70	21.34	43.5	68' 3"	20.80	18,400	8,346	36,900	16,837
	80	24.38	33.2	55' 8"	16.97	15,000	7,031	30,900	14,100
	90	27.43	18.5	35' 0"	10.67	12,400	5,625	26,300	12,000
100' (30.48 m)	25	7.62	78.3	104' 4"	31.80	83,500	37,876	151,400	69,084
	30	9.14	75.3	103' 2"	31.45	62,900	28,531	115,100	52,209
	35	10.67	72.3	91' 2"	27.79	50,000	22,680	92,500	41,958
	40	12.19	69.3	100' 0"	30.48	41,100	18,643	76,900	34,881
	50	15.24	63.0	95' 7"	29.13	29,900	13,563	57,100	25,901
	60	18.29	56.4	89' 9"	27.36	23,000	10,358	44,800	20,322
	70	21.34	49.2	82' 1"	25.02	18,200	8,197	36,700	16,647
	80	24.38	41.1	72' 2"	21.00	14,800	6,665	30,700	13,926
	90	27.43	31.4	58' 7"	17.86	12,200	5,494	26,200	11,884
	100	30.48	17.6	36' 7"	11.15	10,200	4,594	22,600	10,251
	110' (33.53 m)	25	7.62	79.3	114' 6"	34.90	83,300	37,515	151,200
30		9.14	76.7	113' 6"	34.59	62,800	28,655	114,900	52,119
35		10.67	74.0	112' 2"	34.19	49,800	22,724	92,300	41,867
40		12.19	71.3	110' 7"	33.70	40,900	18,663	76,700	34,791
50		15.24	65.7	106' 7"	32.49	29,700	13,552	56,900	25,810
60		18.29	59.8	101' 6"	30.94	22,700	10,358	44,600	20,231
70		21.34	53.6	94' 11"	28.93	18,000	8,213	36,500	16,556
80		24.38	46.8	86' 7"	26.39	14,600	6,623	30,500	13,835
90		27.43	39.1	75' 10"	23.11	12,000	5,443	25,900	11,748
100		30.48	29.9	36' 2"	11.02	10,000	4,536	22,400	10,161
110		33.53	16.7	23' 1"	7.03	8,300	3,765	19,500	8,845

Ⓞ Measured from center of boom head sheave to ground.

(continued)

LS-518 lifting crane capacities

Refer to Notes page 6.

Length	Boom					Cwt. "A"		Cwt. "AB"	
	Radius		Angle	Boom Point Height [Ⓞ]		Pounds	Kilograms	Pounds	Kilograms
	Feet	Meters	Degree	Feet	Meters				
120' (36.58 m)	25	7.62	80.2	124' 8"	38.00	83,200	37,740	151,000	68,494
	30	9.14	77.8	123' 8"	37.69	62,600	28,395	114,700	52,028
	35	10.67	75.4	122' 6"	37.33	49,600	22,499	92,100	41,777
	40	12.19	72.9	121' 1"	36.91	40,700	18,462	76,400	34,655
	50	15.24	67.8	117' 6"	35.81	29,500	13,381	56,600	25,674
	60	18.29	62.5	112' 11"	34.42	22,500	10,206	44,300	20,095
	70	21.34	57.0	101' 1"	30.81	17,800	8,074	36,200	16,420
	80	24.38	51.1	99' 10"	30.43	14,400	6,532	30,200	13,699
	90	27.43	44.7	90' 9"	27.66	11,800	5,353	25,700	11,658
	100	30.43	37.4	79' 4"	24.18	9,700	4,400	22,200	10,070
	110	33.53	28.6	63' 11"	19.48	8,100	3,674	19,300	8,754
120	36.58	16.0	39' 7"	12.06	6,700	3,039	16,900	7,666	
130' (39.62 m)	30	9.14	78.8	133' 11"	40.82	62,400	28,305	114,500	51,937
	35	10.67	76.5	132' 10"	40.49	49,400	22,408	91,800	41,640
	40	12.19	74.2	131' 6"	40.39	40,500	18,371	76,200	34,564
	50	15.24	69.6	128' 3"	39.09	29,300	13,291	56,400	25,583
	60	18.29	64.8	124' 1"	37.82	22,300	10,115	44,100	20,004
	70	21.34	59.8	118' 10"	36.22	17,500	7,938	36,000	16,330
	80	24.38	54.6	112' 4"	34.24	14,100	6,396	30,000	13,608
	90	27.43	49.0	104' 6"	31.85	11,500	5,216	25,500	11,567
	100	30.43	42.8	94' 10"	28.90	9,500	4,309	21,900	9,934
	110	33.53	35.9	82' 7"	25.17	7,900	3,584	19,100	8,664
	120	36.58	27.5	66' 5"	20.24	6,500	2,948	16,700	7,575
130	39.62	15.4	40' 11"	12.47	5,400	2,449	14,700	6,668	
140' (42.67 m)	35	10.67	77.5	143' 1"	43.61	49,100	22,272	91,600	41,550
	40	12.19	75.4	141' 11"	43.26	40,200	18,235	75,900	34,428
	50	15.24	71.1	138' 10"	42.32	29,000	13,154	56,100	25,447
	60	18.29	66.7	135' 0"	41.15	22,000	9,979	43,800	19,867
	70	21.34	62.2	130' 3"	39.70	17,300	7,847	35,700	16,194
	80	24.38	57.4	124' 5"	37.92	13,800	6,260	29,700	13,472
	90	27.43	52.4	117' 5"	35.79	11,200	5,080	25,200	11,431
	100	30.48	47.1	108' 11"	33.20	9,200	4,173	21,600	9,798
	110	33.53	41.2	98' 8"	30.07	7,600	3,447	18,800	8,528
	120	36.58	34.5	85' 9"	26.14	6,200	2,812	16,400	7,439
	130	39.62	26.5	68' 10"	20.98	5,100	2,313	14,500	6,577
140	42.67	14.8	42' 3"	12.88	4,200	1,905	12,800	5,806	
150' (45.72 m)	30	9.14	80.3	154' 3"	47.02	62,000	28,123	114,000	51,710
	35	10.67	78.3	153' 4"	46.73	48,900	22,181	91,300	41,414
	40	12.19	76.4	152' 2"	46.38	39,900	18,099	75,600	34,292
	50	15.24	72.4	149' 5"	45.54	28,800	13,064	55,800	25,311
	60	18.29	68.4	145' 10"	44.45	21,700	9,843	43,500	19,732
	70	21.34	64.2	141' 5"	43.10	17,000	7,711	35,400	16,057
	80	24.38	59.9	136' 2"	41.50	13,600	6,168	29,400	13,336
	90	27.43	55.3	129' 9"	39.54	11,000	4,999	24,900	11,294
	100	30.48	50.5	122' 3"	37.26	8,900	4,037	21,400	9,707
	110	33.53	45.4	113' 3"	34.52	7,300	3,312	18,500	8,392
	120	36.58	39.7	102' 4"	31.19	6,000	2,722	16,200	7,348
130	39.62	33.3	88' 10"	27.08	4,800	2,177	14,200	6,441	
140	42.67	25.5	71' 1"	21.67	3,900	1,769	12,500	5,670	
150	45.72	14.3	42' 6"	12.95	3,100	1,406	11,100	5,035	
160' (48.77 m)	35	10.67	79.1	163' 6"	49.83	48,800	22,136	91,100	41,323
	40	12.19	77.2	162' 6"	49.53	40,000	18,144	75,600	34,292
	50	15.24	73.5	159' 10"	48.72	28,500	12,928	55,600	25,220
	60	18.29	69.8	156' 7"	47.75	21,600	9,798	43,500	19,732
	70	21.34	65.9	152' 6"	46.48	16,900	7,666	35,200	15,967
	80	24.38	61.9	147' 7"	44.98	13,400	6,078	29,100	13,200
	90	27.43	57.8	141' 9"	43.20	10,800	4,899	24,600	11,159
	100	30.48	53.4	134' 11"	41.12	8,800	3,992	21,200	9,616
	110	33.53	48.8	126' 10"	38.66	7,200	3,266	18,400	8,346
	120	36.58	43.9	117' 4"	35.76	5,800	2,631	16,000	7,258
	130	39.62	38.4	105' 10"	32.27	4,700	2,132	14,000	6,350
140	42.67	32.2	91' 9"	27.97	3,700	1,678	12,400	5,625	
150	45.72	24.7	73' 4"	22.35	2,900	1,315	10,900	4,944	
160	48.77	13.9	44' 9"	13.64	2,200	998	9,700	4,400	

Ⓞ Measured from center of boom head sheave to ground.

(continued)

LS-518 lifting crane capacities

Refer to Notes page 6.

Length	Boom					Ctwt. "A"		Ctwt. "AB"	
	Radius		Angle	Boom Point Height [Ⓞ]		Pounds	Kilograms	Pounds	Kilograms
	Feet	Meters	Degree	Feet	Meters				
170' (51.82 m)	35	10.67	79.7	173' 8"	52.94	48,500	22,000	90,800	41,187
	40	12.19	78.0	172' 8"	52.63	39,700	18,008	75,300	34,156
	50	15.24	74.5	170' 3"	51.89	28,200	12,792	55,400	25,129
	60	18.29	71.0	167' 2"	50.95	21,300	9,662	43,200	19,596
	70	21.34	67.4	163' 4"	49.78	16,600	7,530	34,900	15,831
	80	24.38	63.7	158' 10"	48.41	13,100	5,942	28,900	13,109
	90	27.43	59.9	153' 5"	46.76	10,500	4,763	24,300	11,022
	100	30.48	55.9	147' 2"	44.86	8,500	3,856	20,900	9,480
	110	33.53	51.7	139' 10"	42.62	6,900	3,130	18,100	8,210
	120	36.58	47.3	131' 4"	40.03	5,500	2,495	15,700	7,122
	130	39.62	42.5	121' 3"	36.96	4,400	1,996	13,800	6,260
	140	42.67	37.2	109' 4"	33.32	3,400	1,542	12,100	5,490
	150	45.72	31.3	94' 7"	28.83	2,600	1,179	10,600	4,808
	160	48.77	24.0	75' 6"	23.01	1,900	862	9,400	4,264
170	51.82	13.5	46' 0"	14.02	1,200	544	8,300	3,765	
180' (54.86 m)	35	10.67	80.3	183' 10"	56.03	48,300	21,909	90,200*	40,915*
	40	12.19	78.7	182' 11"	55.75	39,500	17,917	75,000	34,020
	50	15.24	75.4	180' 7"	55.04	27,900	12,655	55,100	24,993
	60	18.29	72.1	177' 8"	54.15	21,100	9,571	42,900	19,459
	70	21.34	68.7	174' 2"	53.09	16,300	7,394	34,600	15,695
	80	24.38	65.3	169' 11"	51.79	12,900	5,851	28,600	12,973
	90	27.43	61.7	164' 11"	50.27	10,200	4,627	24,000	10,884
	100	30.48	58.0	159' 1"	48.49	8,200	3,720	20,600	9,344
	110	33.53	54.2	152' 5"	46.46	6,600	2,994	17,800	8,074
	120	36.58	50.2	144' 7"	44.07	5,200	2,359	15,400	6,985
	130	39.62	45.9	135' 7"	41.32	4,100	1,860	13,500	6,124
	140	42.67	41.2	125' 1"	38.12	3,100	1,406	11,800	5,352
	150	45.72	36.2	112' 7"	34.31	2,300	1,043	10,400	4,717
	160	48.77	30.3	97' 4"	29.67	1,600	726	9,100	4,128
170	51.82	23.3	77' 7"	23.65	—	—	8,000	3,629	
180	54.86	13.1	47' 2"	14.37	—	—	7,000	3,175	
190' (57.91 m)	40	12.19	79.3	192' 1"	58.55	39,200	17,781	74,800	33,929
	50	15.24	76.2	190' 11"	58.19	27,700	12,565	54,800	24,857
	60	18.29	73.1	188' 2"	57.35	20,800	9,435	42,600	19,323
	70	21.34	69.9	184' 10"	56.34	16,000	7,258	34,200	15,513
	80	24.38	66.6	180' 10"	55.12	12,500	5,670	28,200	12,792
	90	27.43	63.3	176' 2"	53.70	9,900	4,491	23,700	10,750
	100	30.48	59.9	170' 9"	52.04	7,900	3,583	20,300	9,208
	110	33.53	56.3	164' 7"	50.16	6,200	2,812	17,400	7,893
	120	36.58	52.6	157' 5"	47.98	4,900	2,222	15,100	6,849
	130	39.62	48.7	149' 3"	45.49	3,800	1,724	13,100	5,942
	140	42.67	44.6	139' 9"	42.60	2,800	1,270	11,400	5,171
	150	45.72	40.1	128' 10"	39.27	2,000	907	10,000	4,536
	160	48.77	35.2	115' 10"	35.30	1,300	590	8,800	3,992
	170	51.82	29.5	100' 0"	30.48	—	—	7,700	3,493
180	54.86	22.7	79' 7"	24.26	—	—	6,700	3,039	
190	57.91	12.7	48' 3"	14.71	—	—	5,800	2,631	
200' (60.96 m)	40	12.19	79.8	203' 3"	61.95			69,300*	31,434*
	50	15.24	76.9	201' 3"	61.34			54,500	24,721
	60	18.29	73.9	198' 7"	60.53			42,300	19,187
	70	21.34	70.9	195' 5"	59.56			34,000	15,422
	80	24.38	67.9	191' 8"	58.42			27,900	12,655
	90	27.43	64.7	187' 4"	57.10			23,400	10,614
	100	30.48	61.5	182' 3"	55.55			20,000	9,072
	110	33.53	58.2	176' 5"	53.77			17,100	7,757
	120	36.58	54.8	169' 10"	51.76			14,800	6,713
	130	39.62	51.2	162' 3"	49.45			12,800	5,806
	140	42.67	47.4	153' 8"	46.84			11,100	5,035
	150	45.72	43.4	143' 10"	43.84			9,700	4,400
	160	48.77	39.0	132' 5"	40.36			8,500	3,856
	170	51.82	34.2	118' 11"	36.25			7,400	3,357
180	54.86	28.8	102' 8"	31.29			6,400	2,903	
190	57.91	22.1	81' 7"	24.87			5,500	2,495	
200	60.96	12.4	49' 4"	15.04			4,800	2,177	

Ⓞ Measured from center of boom head sheave to ground.

(continued)

LS-518 lifting crane capacities

Refer to Notes page 6

Length	Boom					Cwt. "A"		Cwt. "AB"	
	Radius		Angle	Boom Point Height [Ⓞ]		Pounds	Kilograms	Pounds	Kilograms
	Feet	Meters	Degree	Feet	Meters				
210' (64.01 m)	40	12.19	80.3	213' 5"	65.05	Not Applicable		63,300*	28,713*
	50	15.24	77.5	211' 6"	64.47			54,200	24,585
	60	18.29	74.7	209' 0"	63.70			42,000	19,051
	70	21.34	71.9	206' 0"	62.79			33,700	15,286
	80	24.38	69.0	202' 5"	61.70			27,600	12,519
	90	27.43	66.0	198' 4"	60.45			23,100	10,478
	100	30.48	63.0	193' 6"	58.99			19,700	8,936
	110	33.53	59.9	188' 1"	57.33			16,800	7,620
	120	36.58	56.7	181' 11"	55.45			14,500	6,577
	130	39.62	53.4	176' 11"	53.93			12,500	5,670
	140	42.67	49.9	167' 0"	50.90			10,800	4,899
	150	45.72	46.2	158' 0"	48.16			9,400	4,264
	160	48.77	42.3	147' 9"	45.03			8,200	3,720
	170	51.82	38.1	135' 11"	41.43			7,100	3,220
	180	54.86	33.4	122' 0"	37.19			6,100	2,767
	190	57.91	28.0	105' 2"	32.06			5,200	2,357
200	60.96	21.5	83' 6"	25.45	4,500	2,041			
210	64.01	12.1	50' 5"	15.39	3,800	1,724			
220' (67.06 m)	40	12.19	80.8	223' 7"	68.15	Not Applicable		57,500*	26,082*
	50	15.24	78.1	221' 8"	67.57			53,900	24,449
	60	18.29	75.4	219' 4"	66.85			41,700	18,915
	70	21.34	72.7	216' 6"	65.99			33,300	15,105
	80	24.38	70.0	213' 1"	64.95			27,300	12,382
	90	27.43	67.2	209' 3"	63.78			22,700	10,297
	100	30.48	64.3	204' 9"	62.41			19,400	8,800
	110	33.53	61.4	196' 7"	59.92			16,500	7,484
	120	36.58	58.4	193' 9"	59.06			14,200	6,441
	130	39.62	55.3	187' 3"	57.07			12,200	5,534
	140	42.67	52.0	179' 10"	54.81			10,500	4,763
	150	45.72	48.7	171' 6"	52.27			9,100	4,128
	160	48.77	45.1	162' 4"	49.48			7,800	3,538
	170	51.82	41.3	151' 6"	46.18			6,800	3,084
	180	54.86	37.2	139' 3"	42.44			5,800	2,631
	190	57.91	32.6	124' 11"	38.07			4,900	2,223
200	60.96	27.4	107' 8"	32.82	4,200	1,905			
210	64.01	21.0	85' 4"	26.01	3,500	1,588			
220	67.06	11.8	51' 6"	15.70	2,800	1,270			
230' (70.10 m)	50	15.24	78.6	131' 11"	40.21	Not Applicable		50,400*	22,861*
	60	18.29	76.1	229' 7"	69.98			41,400	18,790
	70	21.34	73.5	227' 0"	69.19			33,000	14,969
	80	24.38	70.9	223' 9"	68.20			27,000	12,247
	90	27.43	68.2	220' 0"	67.06			22,400	10,161
	100	30.48	65.5	215' 9"	65.76			19,100	8,664
	110	33.53	62.7	210' 11"	64.29			16,200	7,348
	120	36.58	59.9	205' 5"	62.61			13,900	6,305
	130	39.62	57.0	199' 3"	60.73			11,900	5,398
	140	42.67	54.0	192' 5"	58.65			10,200	4,627
	150	45.72	50.8	184' 8"	56.29			8,800	3,992
	160	48.77	47.5	176' 0"	53.64			7,500	3,402
	170	51.82	44.0	166' 4"	50.70			6,400	2,903
	180	54.86	40.3	155' 3"	47.32			5,500	2,495
	190	57.91	36.3	142' 7"	43.46			4,600	2,087
	200	60.96	31.9	128' 0"	39.01			3,800	1,724
210	64.01	26.8	110' 0"	33.53	3,100	1,406			
220	67.06	20.6	87' 3"	26.59	2,500	1,134			
230	70.10	11.6	52' 6"	16.00	1,900	862			
240' (73.15 m)	50	15.24	79.1	242' 1"	73.78	Not Applicable		46,000*	20,866*
	60	18.29	76.7	239' 11"	73.13			41,100	18,643
	70	21.34	74.2	237' 4"	72.34			32,700	14,833
	80	24.38	71.7	234' 3"	71.40			26,700	12,111
	90	27.43	69.2	230' 9"	70.33			22,400	10,161
	100	30.48	66.6	226' 8"	69.09			18,800	8,528
	110	33.53	64.0	222' 1"	67.69			15,900	7,212
	120	36.58	61.3	216' 11"	66.12			13,500	6,124
	130	39.62	58.5	211' 1"	64.34			11,600	5,262
	140	42.67	55.7	204' 8"	62.38			9,900	4,491
	150	45.72	52.7	197' 5"	60.17			8,500	3,856
	160	48.77	49.7	189' 4"	57.71			7,200	3,266
	170	51.82	46.5	180' 5"	54.99			6,100	2,767
	180	54.86	43.1	170' 4"	51.92			5,200	2,359
	190	57.91	39.4	158' 11"	48.44			4,300	1,950
	200	60.96	35.5	145' 10"	44.45			3,500	1,588
210	64.01	31.2	130' 8"	39.83	2,800	1,271			
220	67.06	26.2	112' 5"	34.27	2,200	998			
230	70.10	20.1	89' 0"	27.13	1,600	726			
240	73.15	11.3	54' 6"	16.61	1,100	499			

Ⓞ Measured from center of boom head sheave to ground.

(continued)

LS-518 lifting crane capacities

Refer to Notes page 6

Length	Boom					Cwt. "A"		Cwt. "AB"	
	Radius		Angle	Boom Point Height [Ⓞ]		Pounds	Kilograms	Pounds	Kilograms
	Feet	Meters	Degree	Feet	Meters				
250' (76.20 m)	60	18.29	77.2	250' 3"	76.27	Not Applicable		35,400*	16,057
	70	21.34	74.9	247' 9"	75.51			32,400	14,697
	80	24.38	72.5	244' 10"	74.62			26,400	11,975
	90	27.43	70.0	240' 5"	73.28			22,100	10,024
	100	30.48	67.6	237' 6"	72.39			18,500	8,392
	110	33.53	65.1	233' 2"	71.07			15,600	7,076
	120	36.58	62.5	229' 3"	69.87			13,200	5,986
	130	39.62	59.9	222' 9"	67.89			11,300	5,126
	140	42.67	57.2	216' 8"	66.04			9,600	4,354
	150	45.72	54.5	209' 10"	63.96			8,100	3,674
	160	48.77	51.6	202' 4"	61.67			6,900	3,130
	170	51.82	48.6	193' 11"	59.11			5,800	2,631
	180	54.86	45.5	184' 8"	56.29			4,800	2,177
	190	57.91	42.2	175' 2"	53.39			4,000	1,814
	200	60.96	38.6	162' 5"	49.51			3,200	1,451
	210	64.01	34.8	149' 0"	45.42			2,500	1,134
	220	67.06	30.5	133' 5"	40.67			1,900	862
	230	70.10	25.7	114' 8"	34.95			1,300	590
	240	73.15	19.7	90' 9"	27.66			—	—
	250	76.20	11.1	54' 6"	16.61			—	—

[Ⓞ] Measured from center of boom head sheave to ground.

Combined Boom and Jib Lengths											
Length	Radius		Angle	Jib Point Height [Ⓞ]		Length	Radius		Angle	Jib Point Height [Ⓞ]	
	Feet	Meters	Degrees	Feet	Meters		Feet	Meters	Degrees	Feet	Meters
260' (79.25 m)	50	15.24	80.0	262' 5"	79.99	280' (85.34 m)	50	15.24	80.7	282' 9"	86.18
	60	18.29	77.7	260' 6"	79.40		60	18.29	78.6	280' 11"	85.62
	70	21.34	75.4	258' 1"	78.66		70	21.34	76.5	278' 8"	84.94
	80	24.38	73.2	255' 3"	77.80		80	24.38	74.4	276' 1"	84.15
	90	27.43	70.8	252' 0"	76.81		90	27.43	72.3	272' 1"	21.97
	100	30.48	68.5	248' 4"	75.69		100	30.48	70.1	269' 8"	82.20
	110	33.53	66.1	244' 1"	74.40		110	33.53	67.9	265' 10"	81.02
	120	36.58	63.7	239' 5"	72.98		120	36.58	65.7	261' 7"	79.73
	130	39.62	61.2	234' 3"	71.40		130	39.62	63.4	256' 10"	78.28
	140	42.67	58.6	228' 5"	69.62		140	42.67	61.1	251' 7"	76.68
	150	45.72	56.0	222' 0"	67.67		150	45.72	58.7	245' 9"	74.90
	160	48.77	53.3	214' 11"	65.51		160	48.77	56.3	239' 4"	72.95
	170	51.82	50.5	207' 1"	63.15		170	51.82	53.8	232' 5"	70.84
	180	54.86	47.6	198' 5"	60.48		180	54.86	51.2	224' 9"	68.50
	190	57.91	44.5	188' 9"	57.53		190	57.91	48.6	216' 3"	65.91
	200	60.96	41.3	178' 0"	54.25		200	60.96	45.8	207' 0"	63.09
	210	64.01	37.8	165' 11"	50.57		210	64.01	42.8	196' 9"	59.97
	220	67.06	34.1	152' 1"	46.35		220	67.06	39.7	185' 5"	56.52
	230	70.10	29.9	136' 2"	41.50		230	70.10	36.4	172' 8"	52.63
	240	73.15	25.2	116' 0"	35.36		240	73.15	32.8	158' 2"	48.21
250	76.20	19.3	92' 6"	28.19	250	76.20	28.8	141' 5"	43.10		
260	79.25	10.9	55' 5"	16.89	260	79.25	24.2	121' 4"	36.98		
270' (82.30 m)	50	15.24	80.3	272' 7"	83.08	280' (88.39 m)	60	18.29	79.0	291' 1"	88.72
	60	18.29	78.2	270' 8"	82.50		70	21.34	77.0	289' 0"	88.09
	70	21.34	76.0	268' 5"	81.81		80	24.38	74.9	286' 6"	87.33
	80	24.38	73.8	265' 8"	80.98		90	27.43	72.9	283' 7"	86.44
	90	27.43	71.6	262' 7"	80.03		100	30.48	70.8	280' 3"	85.42
	100	30.48	69.3	259' 0"	78.94		110	33.53	68.7	276' 7"	84.30
	110	33.53	67.0	255' 0"	77.72		120	36.58	66.6	272' 6"	83.06
	120	36.58	64.7	250' 7"	76.38		130	39.62	64.4	266' 11"	81.36
	130	39.62	62.3	245' 7"	74.85		140	42.67	62.2	262' 11"	80.14
	140	42.67	59.9	240' 1"	73.18		150	45.72	59.9	257' 4"	78.43
	150	45.72	57.4	234' 0"	71.32		160	48.77	57.6	251' 4"	76.61
	160	48.77	54.9	227' 3"	69.27		170	51.82	55.2	244' 8"	74.58
	170	51.82	52.2	219' 10"	67.00		180	54.86	52.8	236' 5"	72.06
	180	54.86	49.5	211' 9"	64.52		190	57.91	50.3	229' 6"	69.95
	190	57.91	46.7	202' 9"	61.80		200	60.96	47.4	220' 8"	67.28
	200	60.96	43.7	192' 10"	58.77		210	64.01	44.9	211' 2"	64.36
	210	64.01	40.5	181' 9"	55.40		220	67.06	42.1	200' 8"	61.16
	220	67.06	37.1	169' 3"	51.59		230	70.10	39.0	189' 0"	57.61
	230	70.10	33.4	155' 2"	47.30		240	73.15	35.7	175' 11"	53.62
	240	73.15	29.3	136' 9"	41.68		250	76.20	32.2	161' 0"	49.07
250	76.20	24.7	122' 6"	37.34	260	79.25	28.3	143' 11"	43.87		
260	79.25	18.9	94' 2"	28.70	270	82.30	23.8	123' 5"	37.62		
270	82.30	10.7	56' 5"	17.20	280	85.34	18.3	97' 6"	29.72		
					290	88.39	10.3	58' 3"	17.75		

[Ⓞ] Measured from center of jib peak sheave to ground.

LS-518 lifting crane capacities

Refer to Notes below

Combined Boom and Jib Lengths					
Length	Radius		Angle	Jib Point Height [Ⓢ]	
	Feet	Meters	Degrees	Feet	Meters
	60	18.29	79.4	303' 0"	92.35
	70	21.34	77.4	299' 3"	91.21
	80	24.38	75.5	296' 10"	90.47
	90	27.43	73.5	294' 0"	89.61
	100	30.48	71.5	290' 10"	88.64
	110	33.53	69.4	287' 4"	87.58
	120	36.58	67.4	283' 4"	86.36
	130	39.62	65.3	279' 0"	85.04
	140	42.67	63.2	274' 2"	83.57
	150	45.72	61.0	268' 11"	81.97
	160	48.77	58.8	263' 1"	80.19
300'	170	51.82	56.6	256' 9"	78.26
(91.44 m)	180	54.86	54.2	249' 10"	76.15
	190	57.91	51.8	242' 4"	73.86
	200	60.96	49.4	234' 2"	71.38
	210	64.01	46.8	225' 2"	68.63
	220	67.06	44.1	215' 4"	65.63
	230	70.10	41.3	204' 6"	62.33
	240	73.15	38.1	194' 6"	59.28
	250	76.20	35.1	179' 1"	54.58
	260	79.25	31.7	164' 11"	50.27
	270	82.30	27.8	146' 5"	44.63
	280	85.34	23.4	125' 7"	38.28
	290	88.39	18.0	99' 0"	30.18
	300	91.44	10.1	59' 1"	18.01

[Ⓢ] Measured from center of jib peak sheave to ground.

Notes — lifting crane capacities

- The capacities included in this chart are the maximum allowable, and are based on machine standing level on firm supporting surface under ideal job conditions.
- Capacities are not more than 75% of minimum tipping loads.
 - Those capacities marked with an asterisk indicate capacities based on factors other than those which would cause a tipping condition.
- Capacities are based on freely suspended loads and make no allowance for such factors as the effect of wind, sudden stopping of loads, supporting surface conditions, and operating speeds. Operator must reduce load ratings to take such conditions into account. Deduction from rated capacities must be made for weight of jib, hook block, weighted ball/hook, sling, spreader bar, or other suspended gear.
- Tubular Boom with Open Throat Top Section — for lifting 300,000# (136,080 kg), 10-part load hoist line (1½" — 28.58 mm — Type "N" wire rope) is required. Check parts of line required for all capacities.
- The 30' 0" (9.14 m) boom live mast must be in operating position for all capacities on this chart.
- When using 30' 0" (9.14 m) boom live mast as short boom, maximum lifting capacity of the mast is 47,000# (21,319 kg) at radii from 13' 0" (3.96 m) minimum to 20' 0" (6.10 m) maximum and live mast stops in position and operative.
 - For lifting 47,000# (21,319 kg) on boom live mast with ¾" (19.05 mm) dia. wire rope, 4 parts of ¾" (19.05 mm) Type "N" wire rope are required.
 - Boom live mast may be used as a short boom for machine assembly/disassembly only. Boom live mast is not to be used for general lift crane service.
- Boom lengths exceeding 180' (54.86 m) — boom midpoint suspension pendants are required.
- Least stable rated condition is over the side.
- Main boom length must not exceed 250' (67.20 m), and jib must not be mounted on boom longer than 230' (70.10 m). Maximum jib length permitted on 230' (70.10 m) main boom — 70' (21.34 m).
- Maximum boom/jib combination permitted — 230' (70.10 m) boom plus 70' (21.34 m) jib. Maximum jib length permitted — 70' (21.34 m).
- To determine capacities for intermediate boom lengths not shown on this chart, use the capacity for the next longer boom length shown — for actual angle or radius at which boom/load are being worked.
- The angle and radii shown for combined boom and jib lengths are only to be used for determining jib capacities.
- These capacities apply only to the machine as originally manufactured and normally equipped by FMC Corporation, Crane and Excavator Division.

LS-518 tubular jib capacities

Refer to Notes below

Boom — tubular, 62" x 70" (1.57 x 1.77 m) with open throat; with boom live mast; with boom midpoint suspension pendants as required.

Jib — tubular, 30" x 36" (.76 x .91 m).

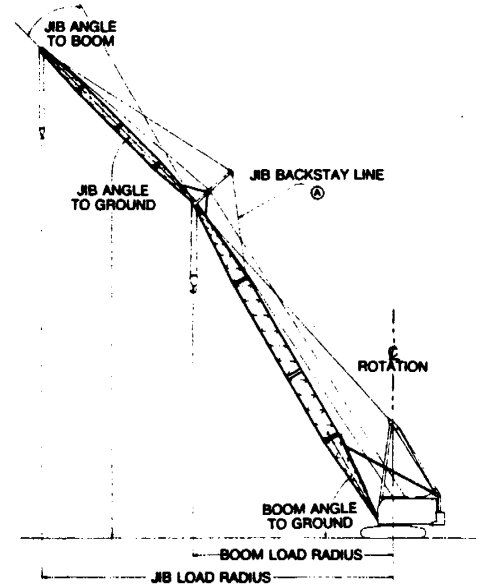
Crawler — 16' 0" (4.88 m) gauge, 24' 4" (7.42 m) over-all length.

Counterweights — 20,500# (9,299 kg) cwt. "A" or 90,000# (40,824 kg) cwt. "AB".

Jib Angle to Ground	Jib Length							
	30' (9.14 m)		45' (13.72 m)		60' (18.29 m)		70' (21.34 m)	
	Pounds	Kilograms	Pounds	Kilograms	Pounds	Kilograms	Pounds	Kilograms
80°	30,000	13,608	26,000	11,794	22,000	9,979	19,000	8,618
65°	26,000	11,794	22,000	9,979	18,000	8,165	15,000	6,804
50°	22,000	9,979	14,000	6,350	9,000	4,082	8,000	3,629
35°	16,000	7,258	10,000	4,536	6,000	2,722	5,000	2,268
20°	15,000	6,804	8,000	3,629	5,000	2,268	4,000	1,814

Notes — tubular jib capacities

- Capacities shown are maximum allowable.
- Use jib with 13' 6" (4.11 m) high jib mast in proper working position.
- To determine jib angle to ground, deduct jib angle to boom from the boom angle to ground.
- Jib backstay line A is anchored at base of boom top section.
- Jib angle to boom must not exceed 30°.
- Determining machine jib capacities:
 - Add length of boom plus length of jib being used.
 - Determine jib load radius.
 - Refer to lifting crane capacity chart and select boom length that corresponds to combined boom/jib length (6-a) and radius (6-b).
 - Jib capacity is equal to the lifting crane capacity for the boom length (6-c) and radius (6-c) — unless restricted by the maximum jib capacities shown in above chart.
- If total boom/jib length (6-c) exceeds the longest boom length listed in lifting crane capacity chart, deduct 600# (272 kg) from the longest boom length shown for the required radius (6-b).
- Jib capacity is the resulting figure unless restricted by the maximum jib capacities shown in above chart.
- Determining lifting crane capacities with jib mounted on boom:
 - When handling load off main boom peak sheaves, the following reduction in rated lifting crane capacities must be made to compensate for jib weight:
 - 30' (9.14 m) jib — 2,200# (998 kg)
 - 45' (13.72 m) jib — 2,700# (1,255 kg)
 - 60' (18.29 m) jib — 3,200# (1,452 kg)
 - 70' (21.34 m) jib — 3,540# (1,606 kg)
- Boom live mast required for all boom lengths with or without jib mounted on boom.



Boom — tubular, 62" x 70" (1.57 x 1.77 m) with open throat; with boom live mast; with boom midpoint suspension pendants as required.

Jib — tubular, 30" x 36" (.76 x .91 m).

Crawler — 16' 0" (4.88 m) gauge, 24' 4" (7.42 m) over-all length.

Maximum boom and boom/jib machine can lift off [Ⓛ] ground unassisted — without load.

Std. machine equipped with boom live mast and appropriate counterweight	Cwt. "A"				Cwt. "AB"			
	Boom		Boom + Jib		Boom		Boom + Jib	
	Feet	Meters	Feet	Meters	Feet	Meters	Feet	Meters
Over ends	190	57.91	170 + 45 or 160 + 70	51.82 + 13.72 or 48.77 + 21.34	250	76.20	230 + 70	70.10 + 21.34
Over sides	170	51.82	150 + 45 or 140 + 70	45.72 + 13.72 or 42.67 + 21.34	240	73.15	210 + 70	64.01 + 21.34

[Ⓛ] Hook blocks on ground and machine level on firm supporting surface.

Maximum boom and boom/jib machine can lift off ground and travel [Ⓜ] with boom horizontal [Ⓝ] — without load.

Std. machine equipped with boom live mast and appropriate counterweight	Cwt. "A"				Cwt. "AB"			
	Boom		Boom + Jib		Boom		Boom + Jib	
	Feet	Meters	Feet	Meters	Feet	Meters	Feet	Meters
Over ends	150	45.72	130 + 30 or 120 + 70	39.62 + 9.14 or 36.58 + 21.34	210	64.00	190 + 30 or 180 + 70	57.91 + 9.14 or 54.86 + 21.34
Over sides	130	39.62	110 + 30 or 100 + 70	33.53 + 9.14 or 30.49 + 21.34	190	57.91	170 + 45 or 160 + 70	51.82 + 13.72 or 48.77 + 21.34

[Ⓜ] Based on firm, level supporting surface and minimum travel speed.

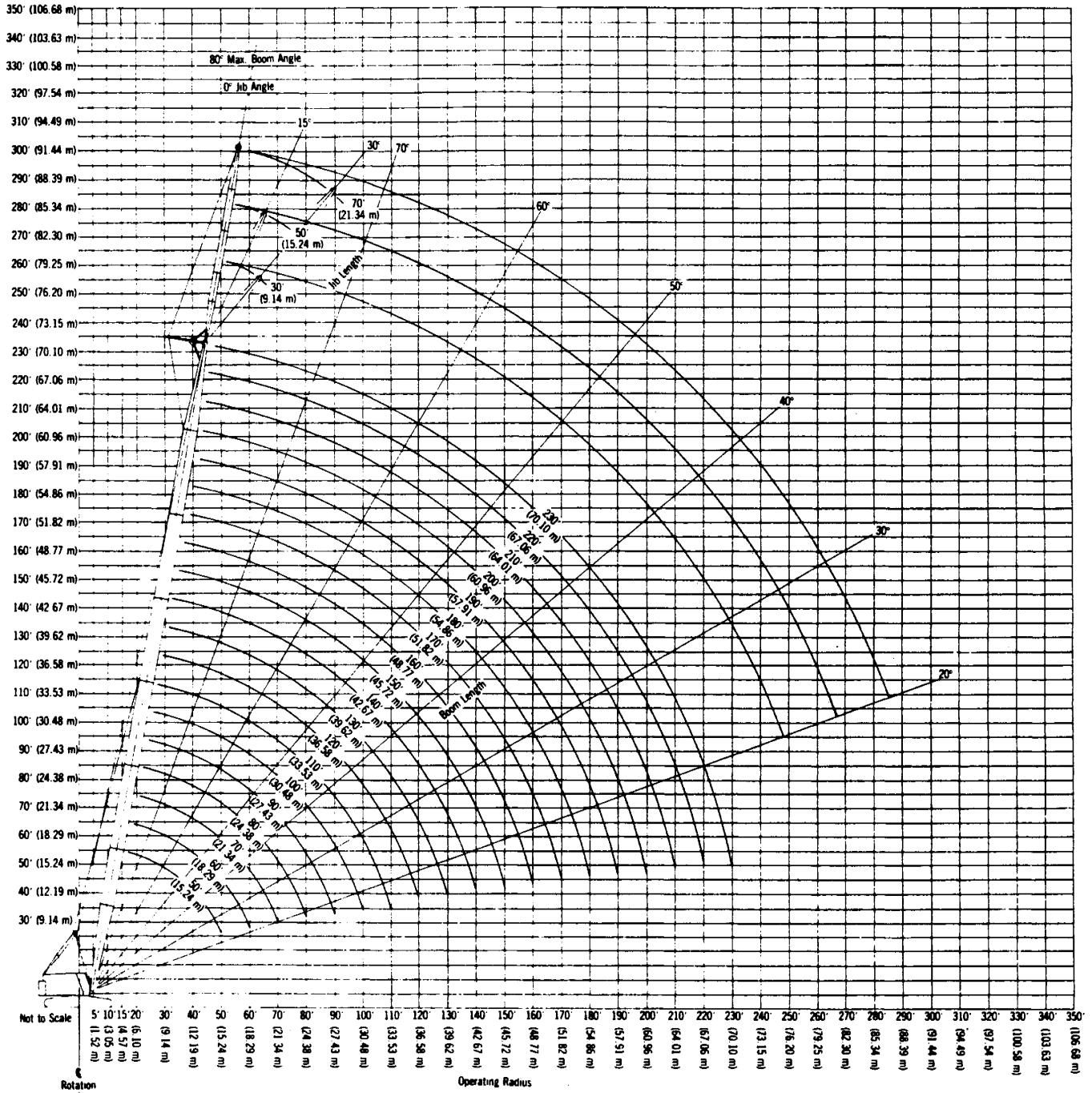
[Ⓝ] Equipped with 150-ton (136.05 metric ton), 2,800# (1,270 kg) hook block and 15-ton (13.61 metric ton), 435# (197.32 kg) jib hook block — carried at boom and jib points.

LS-518 boom/jib working ranges

Boom — tubular, 62" x 70" (1.57 x 1.77 m) with open throat; with boom live mast; with boom midpoint suspension pendants as required.

Jib — tubular, 30" x 36" (.76 x .91 m).

Crawler — 16' 0" (4.88 m) gauge, 24' 4" (7.42 m) over-all length.



LS-518 dragline/clamshell/magnet capacities

Refer to Notes page 10

Boom — tubular, 62" x 70" (1.57 x 1.77 m)
with open throat; with boom live mast.

Crawler — 16' 0" (4.88 m) gauge,
24' 4" (7.42 m) over-all length.

Counterweight — 20,500# (9,299 kg)
ctwt. "A" only.

Length	Boom					Cwt. "A"			
	Radius		Angle	Boom Point Height [Ⓞ]		Dragline		Clamshell/Magnet	
	Feet	Meters	Degree	Feet	Meters	Pounds	Kilograms	Pounds	Kilograms
60' (18.29 m)	15	4.57	80.1	65' 6"	19.96	—	—	22,500	10,206
	16	4.88	79.1	65' 4"	19.91	—	—	↑	↑
	17	5.18	78.1	65' 2"	19.86	—	—	↑	↑
	18	5.49	77.2	64' 11"	19.79	—	—	↑	↑
	19	5.79	76.2	64' 8"	19.71	—	—	↑	↑
	20	6.10	75.2	64' 5"	19.64	—	—	↑	↑
	25	7.62	70.2	62' 10"	19.15	—	—	↑	↑
	30	9.14	65.0	60' 10"	18.54	—	—	↑	↑
	35	10.67	59.6	58' 3"	17.75	19,000	8,618	↑	↑
	40	12.19	53.9	54' 11"	16.74	↑	↑	↑	↑
	45	13.72	47.7	50' 10"	15.49	↑	↑	22,500	10,206
	50	15.24	40.9	45' 9"	13.94	↑	↑	20,600	9,344
55	16.76	32.9	39' 0"	11.89	19,000*	8,618*	19,000*	8,890	
57	17.37	30.0	36' 5"	11.10	↑	↑	18,200	8,256	
60	18.29	22.7	29' 8"	9.04	19,000*	8,618*	—	—	
70' (21.34 m)	16	4.88	80.7	75' 6"	23.01	—	—	22,500	10,206
	17	5.18	79.9	75' 4"	22.96	—	—	↑	↑
	18	5.49	79.0	75' 1"	22.88	—	—	↑	↑
	19	5.79	78.2	74' 11"	22.58	—	—	↑	↑
	20	6.10	77.3	74' 9"	22.84	—	—	↑	↑
	25	7.62	73.1	73' 5"	22.38	—	—	↑	↑
	30	9.14	68.8	71' 8"	21.84	—	—	↑	↑
	35	10.67	64.3	69' 6"	21.18	—	—	↑	↑
	40	12.19	59.7	66' 10"	20.37	19,000	8,618	↑	↑
	45	13.72	54.8	63' 7"	19.38	↑	↑	22,500	10,206
	50	15.24	49.6	59' 9"	18.21	↑	↑	20,400	9,253
	55	16.76	44.0	55' 0"	16.76	19,000	8,618	17,900	8,119
60	18.29	37.8	49' 3"	15.01	18,000*	8,165*	16,200	7,348	
65	19.81	30.4	41' 10"	12.75	↑	↑	14,600	6,623	
70	21.34	21.0	31' 7"	9.63	16,200*	7,348*	—	—	
80' (24.38 m)	17	5.18	81.1	85' 5"	26.03	—	—	22,500	10,206
	18	5.49	80.4	85' 3"	25.98	—	—	↑	↑
	19	5.79	79.7	84' 11"	25.88	—	—	↑	↑
	20	6.10	79.0	85' 0"	25.11	—	—	↑	↑
	25	7.62	75.3	83' 9"	25.53	—	—	↑	↑
	30	9.14	71.5	82' 4"	25.09	—	—	↑	↑
	35	10.67	67.7	79' 5"	24.21	—	—	↑	↑
	40	12.19	63.8	78' 2"	23.83	—	—	↑	↑
	45	13.72	59.7	75' 6"	23.01	19,000	8,618	22,500	10,206
	50	15.24	55.5	72' 2"	22.00	↑	↑	20,200	9,163
	55	16.76	51.0	68' 6"	20.88	↑	↑	17,700	8,029
	60	18.29	46.2	64' 2"	19.56	19,000	8,618	16,000	7,258
65	19.81	41.0	58' 11"	17.96	17,800	8,074	14,300	6,486	
70	21.34	35.2	52' 7"	16.03	15,900	7,212	13,300	6,034	
74	22.56	30.0	46' 5"	14.15	14,800*	6,713*	13,100	5,942	
75	22.86	28.4	44' 5"	13.54	14,500*	6,577*	11,900	5,397	
80	24.38	19.7	33' 2"	10.11	13,200*	5,987*	—	—	
90' (27.43 m)	19	5.79	80.8	95' 3"	29.03	—	—	22,500	10,206
	20	6.10	80.2	95' 1"	28.98	—	—	↑	↑
	25	7.62	76.9	94' 1"	28.68	—	—	↑	↑
	30	9.14	73.7	92' 9"	28.27	—	—	↑	↑
	35	10.67	70.3	91' 2"	27.79	—	—	↑	↑
	40	12.19	66.9	89' 2"	27.18	—	—	↑	↑
	45	13.72	63.3	86' 10"	26.47	—	—	↑	↑
	50	15.24	59.8	84' 2"	25.66	19,000	8,618	22,500	10,206
	55	16.76	55.9	80' 11"	24.66	19,000	8,618	20,000	9,072
	60	18.29	52.1	77' 5"	23.80	19,000	8,618	17,500	7,938
	65	19.81	47.9	73' 5"	22.38	17,600	7,983	15,900	7,212
	70	21.34	43.5	68' 3"	20.80	15,700	7,122	14,100	6,396
75	22.86	38.6	62' 6"	19.05	14,300	6,486	12,900	5,851	
80	24.38	33.2	55' 8"	16.97	12,900*	5,851*	11,600	5,262	
82	24.99	30.0	51' 5"	15.67	12,500*	5,670*	11,200	5,080	
85	25.91	26.8	47' 1"	14.35	11,800*	5,352*	10,600	4,808	
90	27.43	18.5	35' 0"	10.67	10,600*	4,899*	9,700	4,400	

[Ⓞ] Measured from boom head sheave to ground.

(continued)

Notes — dragline/clamshell/magnet capacities

1. The capacities included in this chart are the maximum allowable and are based on machine standing level on firm supporting surface under ideal job conditions.
2. Capacities are not more than 75% of minimum tipping loads for dragline; 67½% for clamshell/magnet.
3. Capacities are maximum recommended by Commercial Standard CS90-58 and PCSA Standard #1. User must make allowances for soft or uneven supporting surfaces, rapid cycle operations, bucket suction or other unfavorable conditions which may require smaller buckets or magnets for most efficient operation.
4. Weight of bucket or magnet, plus load, should not exceed these capacities.
5. Dragline operation with boom angle less than 35° is not recommended.
6. Boom length for dragline/clamshell/magnet operation should not exceed 90' (27.43 m).
7. Use of ctwt. "AB" is not recommended for dragline, clamshell, or magnet service.
8. These capacities apply only to the machine as originally manufactured and normally equipped by FMC Corporation, Crane and Excavator Division.

We are constantly improving our products and therefore reserve the right to change designs and specifications.

FMC Corporation Crane and Excavator Division World Headquarters Cedar Rapids Iowa 52406
Plants in: Cedar Rapids Iowa (2) • Lexington and Bowling Green Kentucky • Ontario Canada • Milan Italy • Queretaro Mexico & Nagoya Japan (under license)

