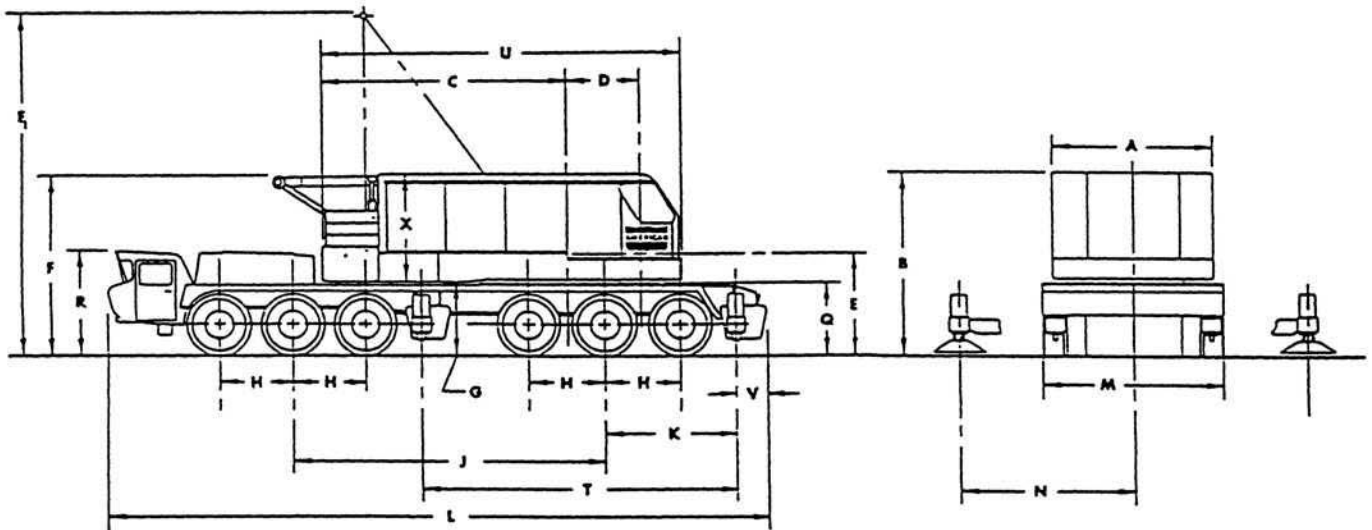




9510



CARRIER SPECIFICATIONS

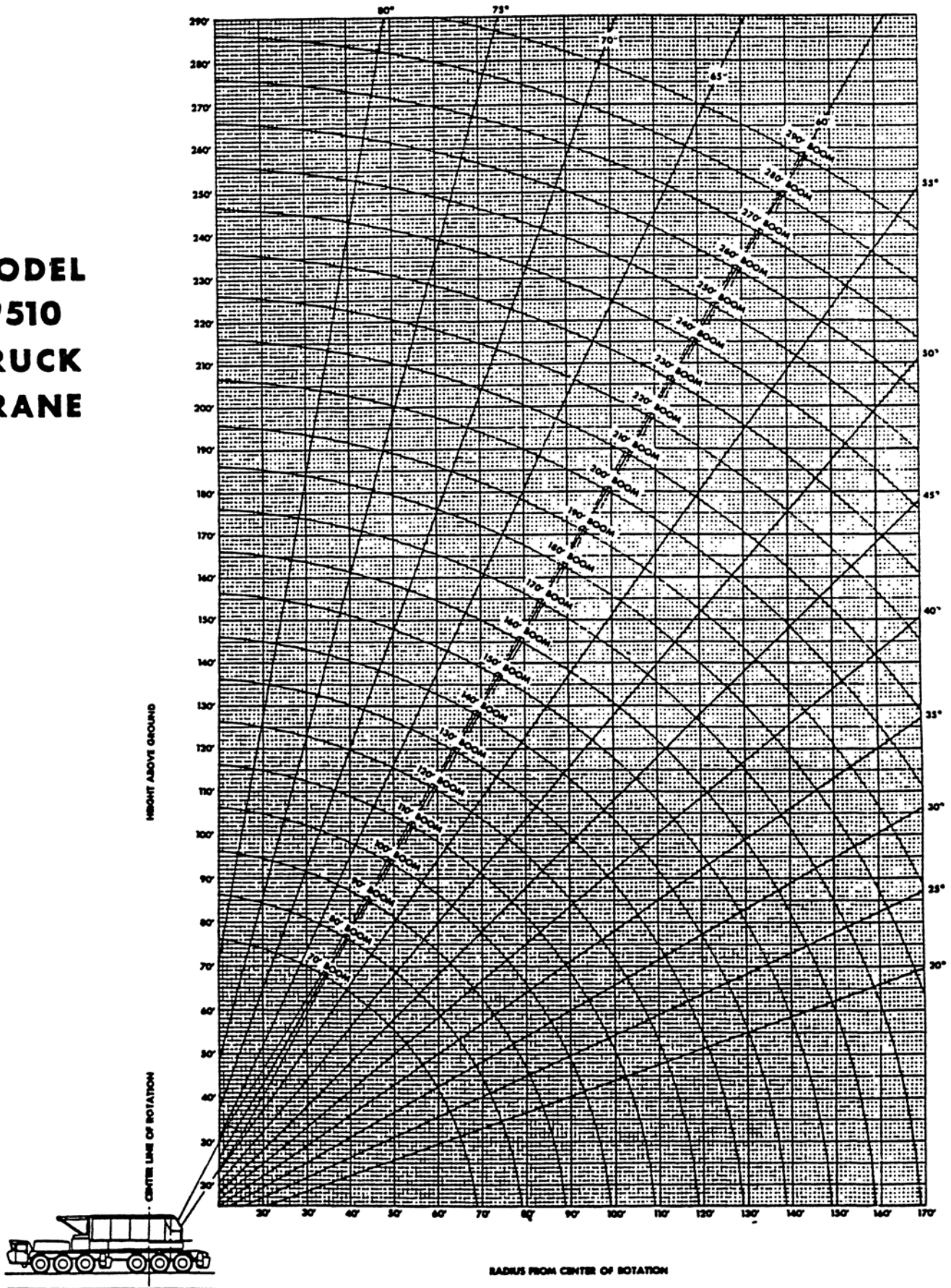


GENERAL DIMENSIONS

A	Width of Cab	11'9"	L	Overall Length of Carrier	47'
B	Height to Top of Cab	13'5"	M	Overall Width of Carrier	14'
C	Tail Swing	17'7"	N	Centerline of Carrier to Centerline of Outrigger	11'6"
D	Centerline of Rotation to Centerline of Boom Foot	5'0-3/4"	Q	Top of Mounting Plate to Ground	5'3"
E	Ground to Centerline of Boom Foot	7'7-3/4"	R	Top of Carrier Cab to Ground	7'7"
F	Height Over A-Frame (Lowered)	13'6-1/2"	T	Centerline Front Outrigger to Center Line Rear Outrigger	22'7"
F'	Height Over A-Frame (Raised)	29'3"	U	Rear of Counterweight to Front of Cab	25'9"
G	Ground to Bottom of Counterweight	5'7"	V	Centerline of Rear Outrigger to End of Carrier	2'3"
H	Distance Between Axles	5'4"	X	Bottom of Machinery Deck to Top of Cab	7'6-1/2"
J	Centerline of Rotation to Centerline of Rear Bogie	2'7-1/4"		Turning Radius	57'
K	Wheel Base	23'2-1/4"		Clearance Under Raised Outrigger Float	4-1/2"
	Centerline Rear Bogie to Centerline Rear Outrigger	9'10"		Clearance Under Equalizer Beam	11"

BOOM ANGLE DIAGRAM

MODEL 9510 TRUCK CRANE



TUBULAR CHORD JIB RATINGS (cont.)

NO. 16HL JIB RATING

JIB LENGTH		40'	50'	60'	70'	80'	90'	100'
MIN BOOM LENGTH		160'	160'	180'	180'	200'	220'	230'
JIB WORKING RANGE	JIB ANGLE							
80' RADIUS OR LESS	5°	32 000	26 900	24,850	21 650	15 900	11 900	9 000
	15°	29 500	25 300	22,100	19,000	14 000	10 200	-
	25°	21 500	19 200	17,800	16 100			-
81' RADIUS TO 120' RADIUS	5°	28 900	25,300	24 300	18 900	13 700	10 200	7 600
	15°	22 300	19 700	18 500	16 800	12 300	9 000	6,600
	25°	17,400	15,400	14 300	12 900	11 300	8 100	5,900
121' RADIUS TO 160' RADIUS	5°	22 100	19,300	18,500	16 700	12 000	8 900	6 500
	15°	18,200	15,900	15 000	13 500	11 200	8 100	5,900
	25°	15,000	13,100	12,100	10,900	10 400	7 500	5 400
161' RADIUS TO 240' RADIUS	5°	20,500	17 600	15,400	13 700	10 600	7 400	5,300
	15°	17,200	14,800	13,000	11,500	10,200	7,000	4,900
	25°	14,500	12,500	10,900	9,600	8,700	6,800	4,700
Effective Jib Weight At Boom Point - Lbs.		1,500	2,050	2,600	3,150	3,700	4,350	4,950

MAX NO. 16HL JIB RATINGS PER BOOM

77S & 92H Booms - Max. 100' Jib

APPLICATION

900 Series - All Models with 77S & 92H Booms

NOTE: In accordance with varying material situations and the Company's policy of constant product improvement these specifications subject to change without notice and without incurring responsibility to units previously sold.

SOLD & SERVICED BY



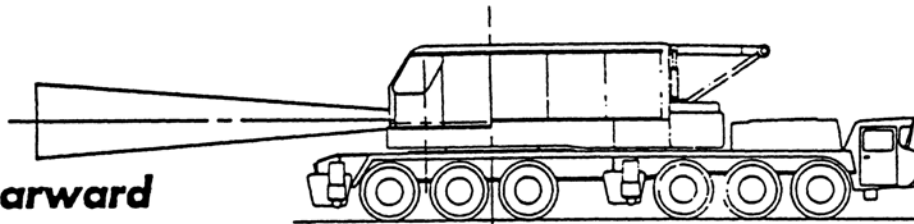
AMERICAN HOIST

& DERRICK COMPANY

ST. PAUL, MINNESOTA 55107

TRAVELING WEIGHTS

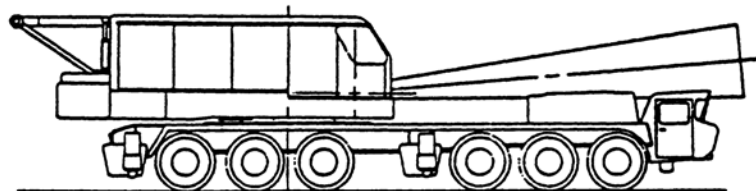
X = IN PLACE
O = REMOVED



Boom Rearward

INNER BOOM	COUNTERWT.	FRONT OUTRIGGER	REAR OUTRIGGER	FRONT TRIDEM	REAR TRIDEM	GROSS WEIGHTS
X	X	X	X	118,690	162,110	280,800
X	O	X	X	58,230	147,560	205,790
X	O	O	X	54,170	142,630	196,800
X	O	X	O	62,230	134,570	196,800
X	O	O	O	58,170	129,630	187,800
O	X	X	X	128,710	142,590	271,300
O	O	X	X	68,250	128,050	196,300
O	O	O	X	64,190	123,110	187,300
O	O	X	O	72,250	115,050	187,300
O	O	O	O	68,180	110,110	178,290

X = IN PLACE
O = REMOVED



Boom Forward

INNER BOOM	COUNTERWT.	FRONT OUTRIGGER	REAR OUTRIGGER	FRONT TRIDEM	REAR TRIDEM	GROSS WEIGHTS
X	X	X	X	2,780	278,020	280,800
X	O	X	X	45,890	159,910	205,800
X	O	O	X	41,820	154,970	196,790
X	O	X	O	49,880	146,910	196,790
X	O	O	O	45,820	141,980	187,800
O	O	X	X	33,670	162,630	196,300
O	O	O	X	29,610	157,690	187,300
O	O	X	O	37,670	149,630	187,300
O	O	O	O	33,600	144,690	178,290

Note: Because of variable manufacturing tolerances a variance of $\pm 3\%$ should be allowed on the above weights.

AMERICAN HOIST & DERRICK CO. MODEL 9510 TRUCK CRANE RATINGS IN POUNDS
 ST. PAUL, MINNESOTA 55107 60,000 LB. CTWT. 77" TUBULAR BOOM WITH
 TAPERED TIP AMERICAN CARRIER

Boom Length	Radius Ft	Boom Angle	Outriggers Set		Free	
			Over Side	Over End	Over Side	Over End
100'	21	81	246,000†	246,300†	101,000†	116,300
	25	78	226,500†	226,500†	86,500†	94,800
	30	76	178,500	188,000†	73,100†	76,700
	35	73	140,400	157,500†	61,600	64,100
	40	70	115,400	135,300†	52,300	55,000
	50	63	84,600	105,100†	39,800	42,400
	60	57	66,300	85,600†	31,800	34,200
	70	50	54,300	71,600	26,200	28,400
	80	41	45,700	60,300	22,100	24,000
	90	32	* 39,200	51,800	18,900	20,700
100	18	* 34,200	39,500†	16,300	18,000	
110'	22	81	233,400†	233,400†	96,300†	109,800
	25	80	223,800†	223,800†	85,900†	94,400
	30	77	178,400	187,600†	72,500†	76,300
	35	74	140,200	157,100†	61,300	63,800
	40	71	115,200	134,900†	52,000	54,600
	50	66	84,400	104,700†	39,500	42,000
	60	60	66,100	85,200†	31,500	33,800
	70	54	54,000	71,400	25,900	28,000
	80	47	45,400	60,000	21,800	23,700
	90	39	39,000	51,600	18,600	20,400
100	30	* 34,000	45,000	16,100	17,700	
110	17	* 30,000	34,800†	14,000	15,500	
120'	24	81	226,200†	226,200†	88,500†	98,700
	25	80	221,500†	221,500†	85,300†	94,000
	30	78	178,300	187,200†	71,900†	76,000
	35	76	140,000	156,700†	61,000	63,400
	40	73	115,000	134,500†	51,700	54,300
	50	68	84,100	104,300†	39,200	41,700
	60	63	65,900	84,800†	31,200	33,500
	70	57	53,800	71,100†	25,600	27,700
	80	51	45,100	59,800	21,500	23,400
	90	45	38,700	51,300	18,300	20,100
	100	38	33,700	44,800	15,800	17,400
	110	29	* 29,700	39,600	13,700	15,200
120	17	* 26,400	30,800†	12,000	13,400	
130'	25	81	215,000†	215,000†	84,700†	94,000
	30	79	178,200	186,800†	71,400†	75,600

Boom Length	Radius Ft	Boom Angle	Outriggers Set		Free	
			Over Side	Over End	Over Side	Over End
130'	35	77	139,900	156,300†	60,700	63,100
	40	74	114,800	134,100†	51,400	53,900
	50	70	83,900	103,900†	38,900	41,300
	60	65	65,600	84,400†	30,900	33,100
	70	60	53,500	70,700†	25,300	27,300
	80	55	44,900	59,500	21,100	23,000
	90	49	38,400	51,100	18,000	19,700
	100	43	33,400	44,500	15,400	17,100
	110	36	29,400	39,300	13,400	14,900
	120	28	* 26,100	35,000	11,700	13,100
130	16	* 23,400	27,300†	10,200	11,500	
140'	27	81	210,800†	210,900†	78,200†	85,200
	30	80	178,100	186,400†	70,800†	75,300
	35	78	139,700	155,900†	60,400	62,700
	40	76	114,600	133,700†	51,000	53,600
	50	71	83,700	103,500†	38,500	41,000
	60	67	65,300	84,000†	30,500	32,800
	70	62	53,200	70,500†	24,900	27,000
	80	58	44,600	59,200	20,800	22,700
	90	53	38,100	50,800	17,600	19,400
	100	47	33,100	44,200	15,100	16,700
	110	41	29,100	39,000	13,100	14,600
	120	35	25,800	34,800	11,400	12,800
130	27	23,100	31,200	9,900	11,200	
140	15	20,800	24,300†	8,700	9,900	
150'	29	81	188,200	193,500†	72,500†	78,000
	30	80	178,000	185,900†	70,200†	74,900
	35	78	140,000	155,400†	60,000	62,400
	40	77	114,400	133,200†	50,700	53,200
	50	73	83,400	103,100†	38,200	40,600
	60	69	65,100	83,500†	30,200	32,400
	70	64	53,000	69,800†	24,600	26,600
	80	60	44,300	59,000	20,500	22,300
	90	56	37,900	50,500	17,300	19,000
	100	51	32,900	44,000	14,800	16,400
	110	46	28,800	38,800	12,700	14,200
	120	40	25,500	34,500	11,000	12,400
130	34	22,800	31,000	9,600	10,900	

AMERICAN HOIST & DERRICK CO. MODEL 9510 TRUCK CRANE RATINGS IN POUNDS
 ST. PAUL, MINNESOTA 55107 60,000 LB. CTWT. 77" TUBULAR BOOM WITH
 TAPERED TIP AMERICAN CARRIER

Boom Length	Radius Ft.	Boom Angle	Outriggers Set		Free	
			Over Side	Over End	Over Side	Over End
150°	140	26	20,500	28,000	8,400	9,600
	150	15	18,500	21,600†	7,300	8,400
160°	30	81	177,800	185,500†	69,600†	74,500
	35	79	139,400	155,000†	59,700	62,000
	40	77	114,200	132,800†	50,400	52,800
	50	74	83,200	102,600†	37,900	40,300
	60	70	64,800	83,100†	29,800	32,100
	70	66	52,700	69,400†	24,200	26,300
	80	62	44,000	58,700	20,100	22,000
	90	58	37,600	50,200	16,900	18,700
	100	54	32,500	43,700	14,400	16,000
	110	49	28,500	38,500	12,400	13,900
170°	120	44	25,200	34,200	10,700	12,100
	130	39	22,500	30,700	9,300	10,500
	140	33	20,200	27,700	8,000	9,200
	150	25	18,200	24,900†	7,000	8,100
	160	14	16,400	19,100†	6,000	7,100
	32	81	160,100	171,600†	64,700†	68,700
	35	80	139,200	154,600†	59,100†	61,700
	40	78	114,000	132,400†	50,000	52,500
	50	75	82,900	102,200†	37,500	39,900
	60	71	64,500	82,700†	29,500	31,700
70	68	52,400	69,000†	23,900	25,900	
80	64	43,700	58,400	19,800	21,600	
90	60	37,300	49,900	16,600	18,300	
100	56	32,200	43,400	14,100	15,700	
110	52	28,200	38,200	12,000	13,500	
120	47	24,900	33,900	10,300	11,700	
130	43	22,200	30,400	8,900	10,200	
140	37	19,900	27,400	7,700	8,900	
150	32	17,900	24,800	6,600	7,800	
160	24	16,100	22,100†	5,700	6,800	
170	14	14,600	16,900†	4,800	5,900	
180°	33	81	150,100†	150,100†	62,200†	65,800
	35	80	139,000	148,000†	58,600†	61,300
	40	79	113,800	132,000†	49,700	52,100
	50	76	82,700	101,800†	37,200	39,500
	60	72	64,300	82,200†	29,100	31,300
	70	69	52,100	68,500†	23,500	25,600
	80	65	43,400	58,100	19,400	21,300
	90	62	36,900	49,600	16,200	17,900

Boom Length	Radius Ft.	Boom Angle	Outriggers Set		Free	
			Over Side	Over End	Over Side	Over End
180°	100	58	31,900	43,100	13,700	15,300
	110	54	27,900	37,800	11,700	13,100
	120	50	24,600	33,600	10,000	11,400
	130	46	21,900	30,100	8,600	9,800
	140	41	19,600	27,100	7,300	8,500
	150	36	17,600	24,500	6,300	7,400
	160	31	15,800	22,300	5,300	6,400
	170	24	14,300	19,600†	4,500	5,500
	180	14	13,000	14,900†	3,800	4,729
190°	35	81	132,100†	132,100†	58,000†	60,900
	40	79	113,600	124,700†	49,400	51,700
	50	76	82,400	101,400†	36,800	39,200
	60	73	64,000	81,800†	28,800	31,000
	70	70	51,800	68,100†	23,200	25,200
	80	67	43,100	57,800	19,100	20,900
	90	63	36,600	49,300	15,900	17,600
	100	60	31,600	42,800	13,400	14,900
	110	56	27,600	37,500	11,300	12,200
	120	53	24,300	33,300	9,600	11,000
200°	130	49	21,600	29,700	8,200	9,500
	140	45	19,200	26,700	7,000	8,200
	150	40	17,200	24,200	5,900	7,100
	160	35	15,500	22,000	5,000	6,100
	170	30	14,000	20,100	4,200	5,200
	180	23	12,600	17,300†	3,400	4,400
	190	13	11,400	13,100†	2,800	3,700
	35	81	117,500†	117,500†	55,700†	58,500
40	80	112,800†	112,800†	49,000	51,400	
50	77	82,200	99,900†	36,500	38,800	
60	74	63,700	81,400†	28,400	30,600	
70	71	51,500	67,700†	22,800	24,800	
80	68	42,800	57,500†	18,700	20,500	
90	65	36,300	49,000	15,500	17,200	
100	62	31,300	42,500	13,000	14,600	
110	58	27,300	37,200	11,000	12,400	
120	55	24,000	33,000	9,300	10,600	
130	51	21,200	29,400	7,900	9,100	
140	48	18,900	26,400	6,600	7,800	

AMERICAN HOIST & DERRICK CO. MODEL '9510 TRUCK CRANE RATINGS IN POUNDS
 ST. PAUL, MINNESOTA 55107 60,000 LB. CTWT. 77" TUBULAR BOOM WITH
 TAPERED TIP AMERICAN CARRI

Boom Length	Radius Ft	Boom Angle	Outriggers Set		Free	
			Over Side	Over End	Over Side	Over End
200°	150	44	16,900	23,900	5,600	6,700
	160	39	15,200	21,700	4,700	5,700
	170	34	13,700	19,700	3,800	4,800
	180	29	12,300	18,000	3,100	4,100
	190	22	11,100	15,200†	2,400	3,300
	200	13	10,000	11,400†	1,800	2,700
210°	38	81	105,400†	105,400†	52,100†	54,400
	40	80	102,600†	102,600†	48,700	51,000
	50	78	81,900	90,700†	36,100	38,400
	60	75	63,400	80,900†	28,100	30,200
	70	72	51,200	67,700†	22,500	24,400
	80	69	42,500	57,100†	18,700	20,200
	90	66	36,000	48,700	15,200	16,800
	100	63	31,000	42,100	12,700	14,200
	110	60	26,900	36,900	10,600	12,100
	120	57	23,600	32,600	8,900	10,300
	130	53	20,900	29,100	7,500	8,800
	140	50	18,600	26,100	6,300	7,500
	150	46	16,600	23,500	5,200	6,300
	160	42	14,900	21,300	4,300	5,300
	170	38	13,300	19,400	3,500	4,500
	180	34	12,000	17,700	2,800	3,700
190	28	10,800	16,100†	2,100	3,000	
200	22	9,700	13,300†	1,500	2,400	
210	13	8,700	9,800†	—	1,800	
220°	39	81	93,670†	93,600†	50,000	52,300
	40	81	82,600†	82,600†	48,300	50,600
	50	78	74,100†	74,100†	35,800	38,100
	60	76	63,100	67,300†	27,700	29,800
	70	73	50,900	61,600†	22,100	24,100
	80	70	42,200	56,600†	18,000	19,800
	90	67	35,700	48,400	14,800	16,500
	100	64	30,600	41,800	12,300	13,800
	110	62	26,600	36,600	10,300	11,700
	120	59	23,300	32,300	8,600	9,900
	130	55	20,600	28,800	7,100	8,400
	140	52	18,300	25,800	5,900	7,100
	150	49	16,300	23,200	4,900	6,000

Boom Length	Radius Ft	Boom Angle	Outriggers Set		Free	
			Over Side	Over End	Over Side	Over End
220°	160	45	14,500	21,000	3,900	5,000
	170	41	13,000	19,100	3,100	4,100
	180	37	11,700	17,300	2,400	3,300
	190	33	10,500	15,800	1,700	2,600
	200	28	9,400	14,000†	1,255	2,000
	210	21	8,400	11,500†	—	1,400
	220	12	7,500	8,300†	—	—
230°	41	81	83,400†	83,400†	46,400	48,700
	50	79	75,500†	75,500†	35,400	37,700
	60	76	62,900	67,600†	27,400	29,500
	70	74	50,600	61,300†	21,800	23,700
	80	71	41,900	56,100†	17,600	19,400
	90	68	35,400	48,100	14,500	16,100
	100	66	30,300	41,500	11,900	13,500
	110	63	26,300	36,300	9,900	11,300
	120	60	23,000	32,000	8,200	9,500
	130	57	20,200	28,500	6,800	8,000
	140	54	17,900	25,500	5,600	6,700
	150	51	15,900	22,900	4,500	5,600
	160	48	14,200	20,700	3,600	4,600
	170	44	12,700	18,700	2,800	3,800
180	40	11,300	17,000	2,000	3,000	
190	36	10,100	15,500	1,400	2,300	
200	32	9,100	14,100	—	1,700	
210	27	8,100	12,100†	—	1,100	
220	21	7,200	9,800†	—	—	
230	12	6,400	6,900†	—	—	
240°	43	81	75,500†	75,500†	43,200	45,500
	50	79	69,200†	69,200†	35,100	37,300
	60	77	61,900†	61,900†	27,000	29,100
	70	74	50,300	56,000†	21,400	23,300
	80	72	41,600	51,200†	17,300	19,000
	90	69	35,100	47,100†	14,100	15,700
	100	67	30,000	41,200	11,600	13,100
	110	64	26,000	36,000	9,500	10,900
120	61	22,700	31,700	7,800	9,200	
130	59	19,900	28,100	6,400	7,600	
140	56	17,600	25,100	5,200	6,400	

AMERICAN HOIST & DERRICK CO. MODEL 9510 TRUCK CRANE RATINGS IN POUNDS
 ST. PAUL, MINNESOTA 55107 60,000 LB. CTWT. 77" TUBULAR BOOM WITH
 TAPERED TIP AMERICAN CARRIER

Boom Length	Radius Ft	Boom Angle	Outriggers Set		Free	
			Over Side	Over End	Over Side	Over End
240"	150	53	15,600	22,600	4,100	5,200
	160	50	13,900	20,300	3,200	4,300
	170	47	12,300	18,400	2,400	3,400
	180	43	11,000	16,700	1,700	2,600
	190	40	9,800	15,200	1,000	1,900
	200	36	8,700	13,800	-	1,300
	210	31	7,800	12,400†	-	-
	220	26	6,900	10,490†	-	-
	230	20	6,100	8,300†	-	-
	240	12	5,300	5,600†	-	-
250"	44	81	67,700†	67,700†	41,500	43,800
	50	80	63,600†	63,600†	34,700	36,900
	60	77	56,700†	56,700†	26,700	28,700
	70	75	50,000	52,370†	21,000	23,000
	80	73	41,300	46,800†	16,900	18,700
	90	70	34,700	43,000†	13,700	15,400
	100	68	29,700	39,800†	11,200	12,700
	110	65	25,600	35,600	9,200	10,600
	120	63	22,300	31,400	7,500	8,800
	130	60	19,600	27,800	6,100	7,300
	140	57	17,200	24,800	4,800	6,000
	150	55	15,200	22,200	3,800	4,900
	160	52	13,500	20,000	2,900	3,900
	170	49	12,000	18,100	2,000	3,000
	180	46	10,700	16,300	1,300	2,200
	190	42	9,500	14,800	-	1,600
200	39	8,400	13,500	-	-	
210	35	7,400	12,200	-	-	
220	31	6,600	10,600†	-	-	
230	26	5,700	8,800†	-	-	
240	20	5,000	6,800†	-	-	
260"	46	81	61,600†	61,600†	38,700	40,900
	50	80	58,600†	58,600†	34,400	36,600
	60	78	52,200†	52,200†	26,300	28,400
	70	76	47,000†	47,000†	20,700	22,600
	80	73	41,000	42,800†	16,500	18,300
	90	71	34,400	39,300†	13,400	15,000
	100	69	29,400	36,300†	10,800	12,300

Boom Length	Radius Ft	Boom Angle	Outriggers Set		Free	
			Over Side	Over End	Over Side	Over End
260"	110	66	25,300	33,700†	8,800	10,200
	120	64	22,000	31,000	7,100	8,400
	130	61	19,200	27,500	5,700	6,900
	140	59	16,900	24,500	4,500	5,600
	150	56	14,900	21,900	3,400	4,500
	160	53	13,200	19,700	2,500	3,500
	170	51	11,700	17,700	1,700	2,600
	180	48	10,300	16,000	-	1,900
	190	45	9,100	14,500	-	1,200
	200	41	8,100	13,100	-	-
	210	38	7,100	11,900	-	-
	220	34	6,200	10,500†	-	-
230	30	5,400	8,900†	-	-	
240	25	4,700	7,200†	-	-	
270"	47	81	55,400†	55,400†	37,200	39,400
	50	80	54,000†	54,000†	34,000	36,200
	60	78	48,000†	48,000†	25,900	28,000
	70	76	43,200†	43,200†	20,300	22,200
	80	74	39,300†	39,300†	16,200	17,900
	90	72	34,100	36,000†	13,000	14,600
	100	69	29,000	33,200†	10,500	12,000
	110	67	25,000	30,700†	8,400	9,800
	120	65	21,700	28,600†	6,700	8,000
	130	62	18,900	26,700†	5,300	6,500
	140	60	16,600	24,100	4,100	5,200
	150	58	14,600	21,600	3,000	4,100
160	55	12,800	19,300	2,100	3,100	
170	52	11,300	17,400	1,300	2,300	
180	50	10,000	15,700	-	1,500	
190	47	8,800	14,100	-	-	
200	44	7,700	12,800	-	-	
210	41	6,700	11,500	-	-	
220	37	5,900	10,400†	-	-	
230	34	5,100	8,800†	-	-	
240	30	4,300	7,300†	-	-	
280"	49	81	50,600†	50,600†	34,700	36,900
	50	81	49,900†	49,900†	33,700	35,800
	60	79	44,300†	44,300†	25,600	27,600

AMERICAN HOIST & DERRICK CO. MODEL 9510 TRUCK CRANE RATINGS IN POUND.
 ST. PAUL, MINNESOTA 55107 60,000 LB. CTWT. 77" TUBULAR BOOM WITH
 TAPERED TIP AMERICAN CARRI

Boom Length	Radius Ft	Boom Angle	Outriggers Set		Free	
			Over Side	Over End	Over Side	Over End
70	77	77	39,800†	39,800†	20,000	21,800
80	74	74	36,100†	36,100†	15,800	17,500
90	72	72	33,000†	33,000†	12,600	14,200
100	70	70	28,700†	30,300†	10,100	11,600
110	68	68	24,600	28,100†	8,100	9,400
120	66	66	21,300	26,100†	6,400	7,700
130	63	63	18,600	24,300†	5,000	6,100
140	61	61	16,200	22,700†	3,700	4,900
150	59	59	14,200	21,190†	2,700	3,700
160	56	56	12,500	19,000	1,800	2,800
170	54	54	11,000	17,000	—	1,900
180	51	51	9,600	15,300	—	1,100
190	49	49	8,400	13,800	—	—
200	46	46	7,400	12,400	—	—
210	43	43	6,400	11,200	—	—
220	40	40	5,500	10,000†	—	—
230	37	37	4,700	8,600†	—	—
240	33	33	4,000	7,200†	—	—
299*	50	81	45,600†	45,600†	33,300	35,900

Boom Length	Radius Ft	Boom Angle	Outriggers Set		Free	
			Over Side	Over End	Over Side	Over End
60	79	79	40,900†	40,900†	25,200	27,200
70	77	77	36,600†	36,600†	19,600	21,500
80	75	75	33,200†	33,200†	15,400	17,200
90	73	73	30,100†	30,100†	12,300	13,800
100	71	71	27,800†	27,800†	9,700	11,200
110	69	69	24,300	25,600†	7,700	9,100
120	67	67	21,000	23,700†	6,000	7,300
130	64	64	18,200	22,100†	4,600	5,800
140	62	62	15,900	20,600†	3,400	4,500
150	60	60	13,900	19,200†	2,300	3,400
160	58	58	12,100	18,000†	1,400	2,400
170	55	55	10,600	16,700	—	1,500
180	53	53	9,300	15,000	—	—
190	50	50	8,100	13,500	—	—
200	48	48	7,000	12,000†	—	—
210	45	45	6,000	11,000†	—	—
220	42	42	5,200	9,600†	—	—
230	39	39	4,400	8,300†	—	—
240	36	36	3,600	7,000†	—	—

DO NOT WELD OR BURN ON TUBULAR BOOM

Load ratings do not exceed 85% of tipping with crane standing level on firm, uniformly supporting surface. Safe loads depend on ground conditions, boom length, radius of operation, condition and inflation (100 psi) of tires, and proper handling, all of which must be taken into consideration by user.

"Radius in Feet" is the horizontal distance at ground level from center pin to a vertical line through the center of gravity of the suspended load. Blocks, slings, buckets and other load-carrying devices are considered part of the load.

Ratings marked (*) require retractable A-frame fully raised.

Ratings marked (†) are based on strength not stability.

Ratings indicated in *italics* represent boom positions which *without load*, provide less than standard backward stability.

For loads up to 74,300 lbs use 2-part maximum reeving without hanger block. Reduce ratings 800 lbs when using optional two-sheave hanger block (for up to 6-part line).

With Outriggers Extended and Set Crane Will Self-Erect:

No. Jib	COUNTERWEIGHT			
	T-U ₁ (60,000 Lb.)		T-U ₁ -U ₂ (73,000 Lb.)	
	Boom Length Feet	Jib Length Feet	Boom Length Feet	Jib Length Feet
8HL	290	70	290	90
8HL	270	100	280	100
9	290	40	290	50
9	280	50	—	—
9HL	290	50	290	80
9HL	280	80	—	—
15	290	40	290	50
15	280	50	—	—