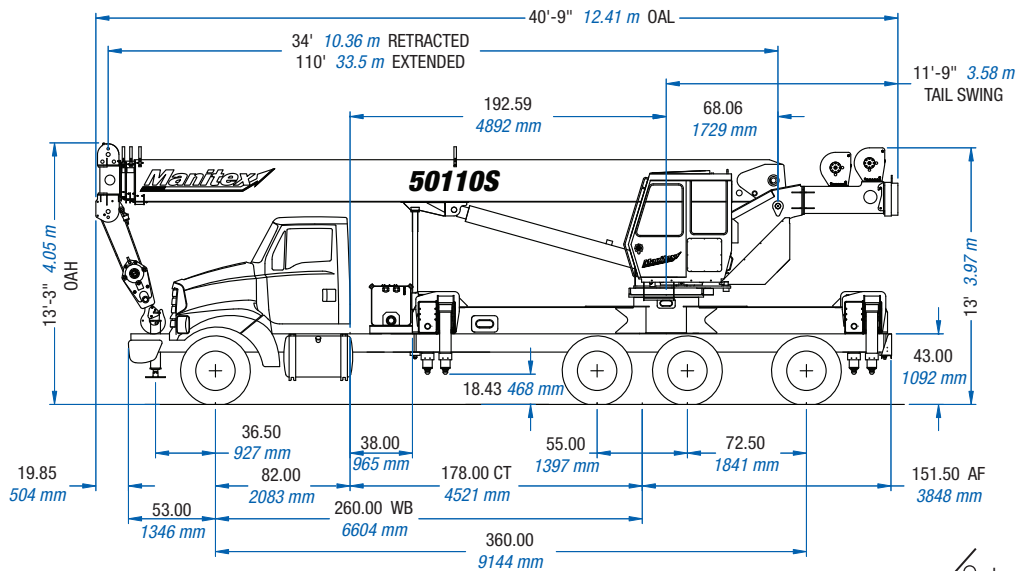
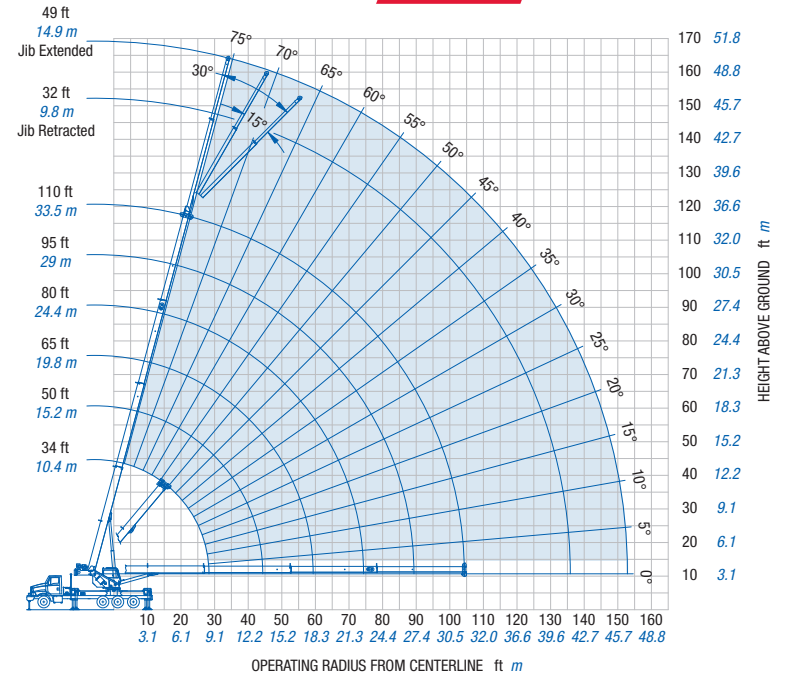




MODEL 50110S



Loaded boom Angle



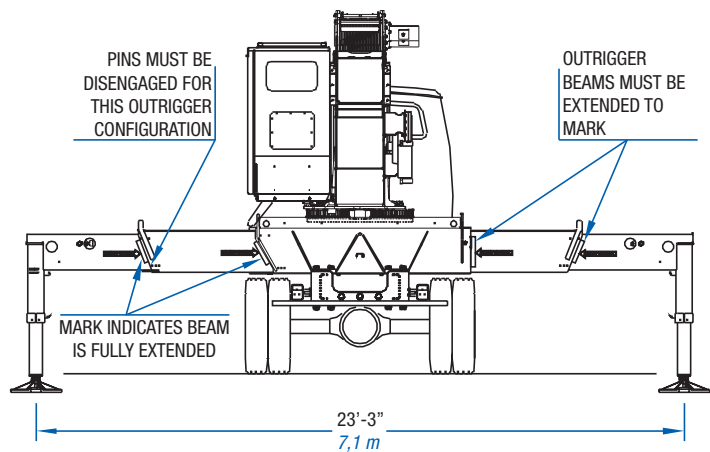
FULLY EXTENDED OUTRIGGER SPREAD: MODEL 50110S

MAIN BOOM LOAD RATINGS

Operating Radius	Boom Length		A				B				C				D				E							
	34 Feet		50 Feet				65 Feet				80 Feet				95 Feet				110 Feet							
	10.36 Meters		15.24 Meters				19.81 Meters				24.38 Meters				28.96 Meters				33.53 Meters							
Feet	Meter	Over Rear		Full 360°		Over Rear		Full 360°		Over Rear		Full 360°		Over Rear		Full 360°		Over Rear		Full 360°		Over Rear		Full 360°		
		lb	kg	lb	kg	lb	kg	lb	kg	lb	kg	lb	kg	lb	kg	lb	kg	lb	kg	lb	kg	lb	kg	lb	kg	
6	1.83	71	100000	45359	100000	45359																				
8	2.44	67.5	88100	39961	88100	39961																				
10	3.05	63.5	77900	35335	77900	35335	73	51000	23133	51000	23133															
12	3.66	60	69900	31706	69900	31706	70.5	51000	23133	51000	23133															
15	4.57	53.5	60400	27397	60400	27397	67	51000	23133	51000	23133	73	40000	18144	40000	18144										
20	6.10	42	46100	20911	46100	20911	60.5	46400	21047	46400	21047	68.5	38810	17604	38810	17604	73.5	28230	12805	28230	12805					
25	7.62	26.5	35800	16239	35670	16180	53.5	36600	16601	36600	16601	63.5	33150	15037	33150	15037	69.5	24350	11045	24350	11045	73.5	20000	9072	20000	9072
30	9.14						45.5	29670	13458	25590	11607	58.5	29000	13154	26150	11861	65.5	21280	9652	21280	9652	70.5	18680	8473	18680	8473
35	10.67						36.5	23130	10492	18980	8609	53	23610	10709	19500	8845	61.5	19000	8618	19000	8618	67.5	16580	7521	16850	7521
40	12.19						25	18360	8328	14680	6659	47	18850	8550	15190	6890	57.5	16870	7652	15470	7017	64	14820	6722	14820	6722
45	13.72											40.5	15440	7003	12160	5516	53	15120	6858	12440	5643	60.5	13330	6046	12610	5720
50	15.24											32.5	12870	5838	9920	4500	48	13130	5956	10190	4622	57	12050	5466	10360	4699
55	16.76											22.5	10860	4926	8170	3706	43	11140	5053	8460	3837	53	10920	4953	8620	3910
60	18.29																37	9540	4327	7080	3211	49	9700	4400	7250	3289
65	19.81																30	8220	3729	5950	2699	44.5	8390	3806	6120	2776
70	21.34																21	7110	3225	5010	2272	40	7290	3307	5190	2354
75	22.86																					34.5	6360	2885	4410	2000
80	24.38																					28	5560	2522	3730	1692
85	25.91																					20	4860	2204	3140	1424
90	27.43																									
95	28.96																					33	4380	1987	2750	1247
100	30.48																					27	3840	1742	2300	1043
																						19	3350	1520	1900	862

OUTRIGGERS - FULL SPREAD

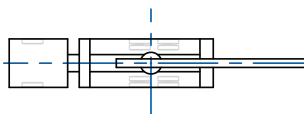
THE PRELIMINARY CHARTS SHOWN APPLY ONLY WHEN ALL OUTRIGGER BEAMS ARE FULLY EXTENDED AND THE JACK CYLINDERS ARE PROPERLY SET TO LEVEL THE CRANE



AREAS OF OPERATION

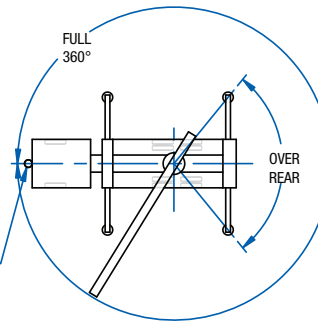
ON TIRES

WHEN LIFTING ON TIRES, THE BOOM MUST BE CENTERED OVER THE REAR OF THE CRANE WITH THE SWING BRAKE AND THE HOUSELOCK ENGAGED.



ON OUTRIGGERS

THE FRONT BUMPER STABILIZER MUST BE SET IN ACCORDANCE TO THE OPERATORS MANUAL BEFORE WORKING IN THE "FULL 360°" AREA.



CHASSIS DATA 50110S

Wheelbase (WB)	260" 6 604 mm
Cab to Tandem (CT)	178" 4 521 mm
Cab to End of Frame (BC-EOF)	329.50" 8 369 mm
Front Axle to Tag Axle *	360" 9 144 mm
Frame Section Modulus	27.0 in3 110,000 psi 758,423 kPa
Front Axle Gross Weight Rating	20,000 lb 9 071 kg
Rear Axle Gross Weight Rating	40,000 lb 18 143 kg
Minimum Truck Axle Weight - Front **	8,950 lb 4 060 kg
Minimum Truck Axle Weight - Rear **	10,550 lb 4 785 kg
Nominal Frame Width	34" 864 mm

* Overall wheelbase for federal bridge law (62000 GWW)
 ** Minimum chassis weight is necessary to meet 85% stability requirements
 Chassis date is minimum recommended, not for engineering

Meets ANSI B30.5 Requirements

Do Not operate crane or accessories within 10' (3.05 m) of live power lines.

NOTICE: This chart is for reference only and must not be used for lifting purposes. Consult factory for other boom options.

Loaded boom Angle

FULLY EXTENDED OUTRIGGER SPREAD: MODEL 50110S

32 FT RETRACTED JIB CAPACITIES

49 FT EXTENDED JIB CAPACITIES

Operating Radius	Feet	Meter	0° OFFSET				15° OFFSET				30° OFFSET				0° OFFSET				15° OFFSET				30° OFFSET								
			OVER REAR		FULL 360°		OVER REAR		FULL 360°		OVER REAR		FULL 360°		OVER REAR		FULL 360°		OVER REAR		FULL 360°		OVER REAR		FULL 360°						
			lb	kg	lb	kg	lb	kg	lb	kg	lb	kg	lb	kg	lb	kg	lb	kg	lb	kg	lb	kg	lb	kg	lb	kg					
40	12.19	74.5	7800	3538	7800	3538																									
45	13.72	72.5	7800	3538	7800	3538																									
50	15.24	70.5	7380	3348	7380	3348	73.5	6880	3121	6880	3121																				
55	16.76	68.5	6980	3166	6980	3166	71.5	6500	2948	6500	2948	74	6100	2767	6100	2767	71.5	5700	2585	5700	2585	75	5700	2585	5700	2585					
60	18.29	66.5	6600	2994	6600	2994	69.5	6120	2776	6120	2776	72	5750	2608	5750	2608	69.5	5530	2508	5530	2508	73.5	4480	2032	4480	2032					
65	19.81	64	6230	2826	6230	2826	67	5780	2622	5780	2622	69.5	5450	2472	5450	2472	68	5230	2372	5230	2372	71.5	4280	1941	4280	1941	75	3520	1597	3520	1597
70	21.34	62	5870	2663	5280	2395	65	5450	2472	5450	2472	67	5160	2341	5160	2341	66	4930	2236	4930	2236	69.5	4100	1860	4100	1860	73.5	3410	1547	3410	1547
75	22.86	59.5	5530	2508	4480	2032	62.5	5160	2341	4890	2218	64.5	4900	2223	4900	2223	64	4660	2114	4660	2114	67.5	3940	1787	3940	1787	71	3310	1501	3310	1501
80	24.38	57	5110	2318	3800	1724	60	4880	2214	4170	1891	62	4670	2118	4470	2028	62	4410	2000	4410	2000	65.5	3790	1719	3790	1719	69	3210	1456	3210	1456
85	25.91	54.5	4690	2127	3200	1451	57.5	4630	2100	3530	1601	59.5	4450	2018	3800	1724	60	4170	1891	3810	1728	63.5	3650	1656	3650	1656	67	3130	1420	3130	1420
90	27.43	52	4280	1941	2690	1220	54.5	4400	1996	2980	1352	56.5	4250	1928	3210	1456	57.5	3950	1792	3290	1492	61.5	3520	1597	3520	1597	64.5	3050	1383	3050	1383
95	28.96	49	3740	1696	2230	1012	51.5	4000	1814	2500	1134	53.5	4070	1846	2700	1225	55.5	3750	1701	2820	1279	59	3400	1542	3250	1474	62	2980	1352	2980	1352
100	30.48	46	3260	1479	1830	830	48.5	3490	1583	2060	934	50.5	3660	1660	2230	1012	53	3560	1615	2420	1098	57	3290	1492	2800	1270	59.5	2910	1320	2910	1320
105	32.00	43	2830	1284	1470	667	45.5	3030	1374	1670	757	47	3170	1438	1810	821	50.5	3380	1533	2050	930	54.5	3190	1447	2400	1089	57	2860	1297	2680	1216
110	33.53	39.5	2440	1107	1140	517	42	2620	1188	1320	599	43.5	2730	1238	1440	653	48	3010	1365	1720	780	52	3050	1383	2030	921	54.5	2810	1275	2280	1034
115	35.05	35.5	2090	948	850	386	38	2240	1016	1000	454	39	2330	1057	1090	494	45.5	2660	1207	1420	644	49	2920	1324	1700	771	51.5	2760	1252	1920	871
120	36.58	31.5	1770	803			34	1890	857			34.5	1950	885	760	345	42.5	2330	1057	1150	522	46	2580	1170	1400	635	48.5	2730	1238	1580	717
125	38.10	26.5	1480	671			29	1570	712			29	1600	726			39.5	2040	925	910	413	43	2260	1025	1130	513	45	2400	1089	1280	581
130	39.62	20.5	1210	549			22	1270	576			20	1250	567			36	1770	803			39.5	1960	889	870	395	41	2070	939	990	449
135	41.15	10	950	431													32	1520	689			35.5	1680	762			36.5	1760	798		
140	42.67																28	1290	585			31	1410	640			31	1460	662		
145	44.20																22.5	1070	485			25	1160	526							
150	45.72																15	870	395			15.5	910	413							