

GUAY

GROVE[®]

RT980

ROUGH TERRAIN CRANE

80 TON
CAPACITY




**HYDRAULIC
CRANES**



CONSTANT IMPROVEMENT AND ENGINEERING PROGRESS MAKE IT NECESSARY THAT WE RESERVE THE RIGHT TO MAKE SPECIFICATION, EQUIPMENT AND PRICE CHANGES WITHOUT NOTICE. ILLUSTRATIONS SHOWN MAY INCLUDE OPTIONAL EQUIPMENT AND ACCESSORIES AND MAY NOT INCLUDE ALL STANDARD EQUIPMENT. OPTIONAL EQUIPMENT IS DESIGNATED BY (*) IN SPECIFICATIONS FOLDER.

† Patented Grove feature

THE GROVE **TRAPEZOIDAL**[†] **BOOM...**



11,000 lbs. @ 181' TIP HEIGHT
(4990 kg) (55.2m)

24,500 lbs. @ 154' TIP HEIGHT
(11 113 kg) (46.9m)

43,600 lbs. @ 123' TIP HEIGHT
(19 777 kg) (37.5m)

**The proven design
for long reach, high
capacity performance!**

The Grove Trapezoidal Boom is the proven performer among high capacity long reach booms. More crane users have placed their trust in the Grove design than in any other . . . more than 9 out of 10 big RT's and TM's are Groves, with a Trapezoidal Boom.

The Trapezoidal Boom is a major engineering accomplishment in telescoping boom design and represents the optimum strength-to-weight ratio for hydraulic crane operation. The superior strength and rigidity are directly attributable to the Trapezoidal design and the use of very high strength steels. This permits a deeper, wider and lighter boom with greater resistance to lateral and vertical deflection. These features contribute to more precise load control at long boom operation.

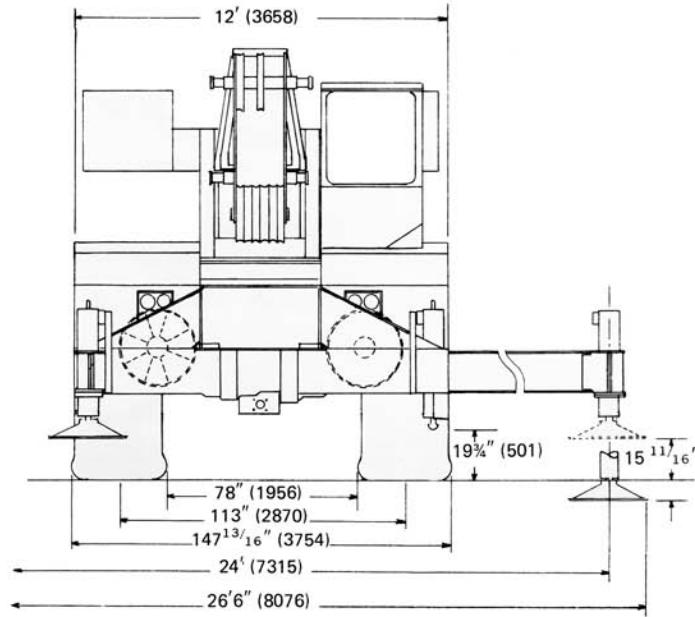
The RT980 has a 4-section full power main boom providing instant working height of 123 ft. (37.5m). The easily erected 32 ft. (9.8m) "Swing-away" extension extends the reach to 154 ft. (46.9m). An optional 28 ft. (8.5m) stowable "A" frame jib increases tip height to 181 ft. (55.2m).

[†]Patented Grove feature or patent pending

DIMENSIONS



RT980



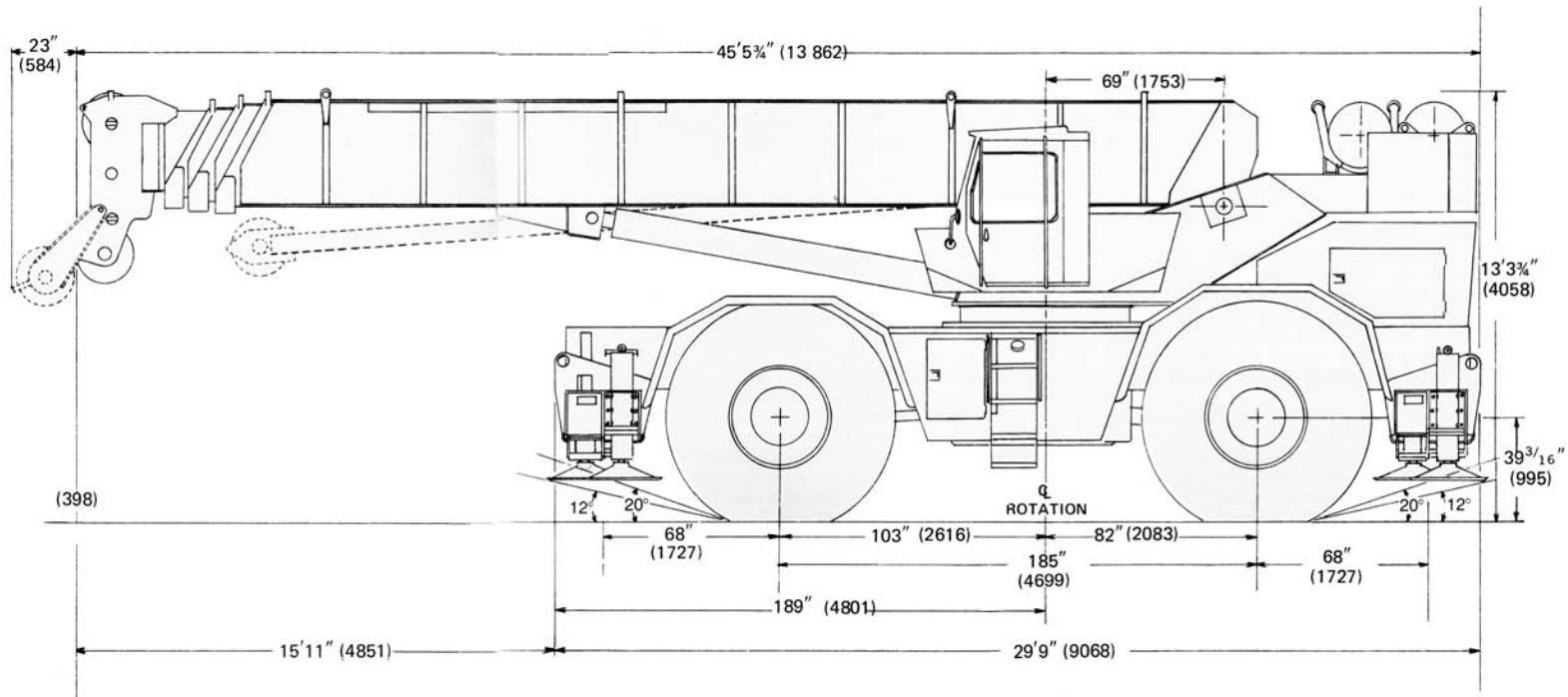
SPEED AND GRADEABILITY

Forward Drive	Transmission Range	Gear Shift	Maximum Speed		Gradeability @ Stall (%)	Tractive Effort at Stall	
			MPH	KM/H		LBS.	KG
4 Wheel Drive	Low	1st	1.4	2.3	81.9	84,942	38 530
4 Wheel Drive	Low	2nd	3.0	4.8	30.2	40,139	18 207
4 Wheel Drive	Low	3rd	7.6	12.2	9.4	14,715	6675
2 Wheel Drive	High	1st	4.0	6.4	20.9	29,168	13 231
2 Wheel Drive	High	2nd	8.0	12.9	8.6	13,796	6258
2 Wheel Drive	High	3rd	18.0	28.9	1.9	5,058	2294

NOTE: All performance data is based on standard machine and may vary plus or minus 10% due to variations in engine performance. Gradeability values above 45% are theoretical. Machines should be operated within the limits of engine crankcase design (30° - GM, 45° - Cat, 45° - Cummins).

TURNING RADIUS 23' (7010)
TAIL SWING 14' 3" (4343)

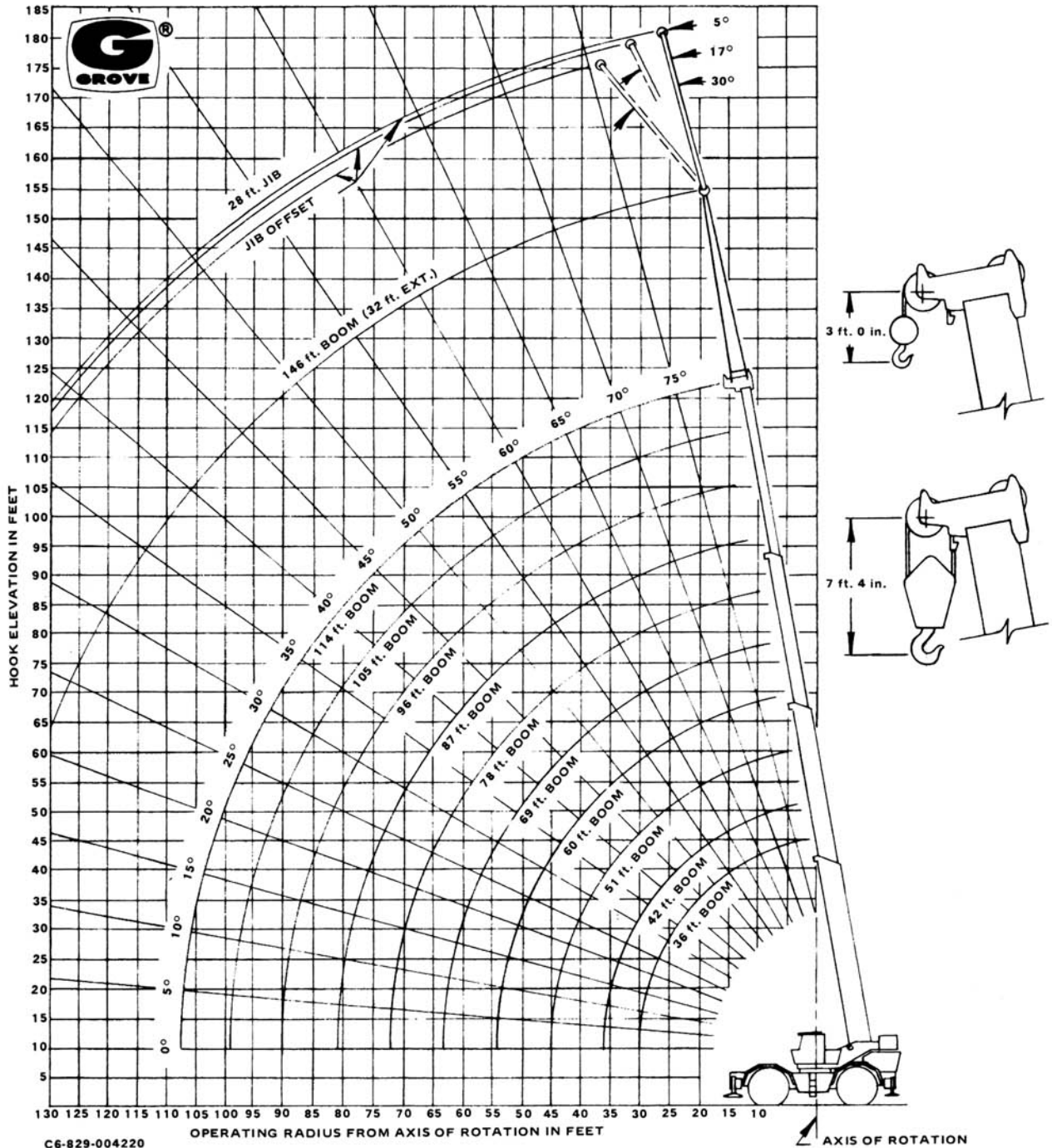
NOTE: Figures in parentheses () are metric equivalents expressed in millimeters.



80 TON CAPACITY
36 ft. - 146 ft. BOOM

(FULL POWER)
PCSA CLASS 10-397
85% OF TIPPING

RANGE DIAGRAM



C6-829-004220

WEIGHT REDUCTION FOR LOAD HANDLING DEVICES

32 ft. BOOM EXTENSION	
†Stowed	642 lbs.
†Erected	3,732 lbs.
28 ft. Jib & 32 ft. Boom Ext. Combination	
†Stowed	1,063 lbs.
†Erected	9,396 lbs.
††Erected	2,111 lbs.

HOOKBLOCK	
80 Ton, 6 Sheave	1,970 lbs.
15 Ton, 1 Sheave	650 lbs.
10 Ton Headache Ball	500 lbs.
7½ Ton Headache Ball	300 lbs.
Auxiliary Boom Head	220 lbs.

NOTE: All Load Handling Devices and Boom Attachments are Considered Part of the Load and Suitable Allowances MUST BE MADE for Their Combined Weights. Weights are for Grove furnished equipment.

†Reduction of main boom capacities.
††Reduction of 32 ft. Ext. capacities.



RT980

80 TON CAPACITY
36 ft. - 146 ft. BOOM

(FULL POWER)
PCSA CLASS 10-397
85% OF TIPPING

GROVE®

FULL HYDRAULIC
SELF-PROPELLED CRANE

RATED LIFTING CAPACITIES IN POUNDS

ON OUTRIGGERS FULLY EXTENDED - 360°

Radius in Feet	Main Boom Length in Feet										114 ft. + 32 ft. Ext. (2° Offset)
	36	42	51	60	69	78	87	96	105	114	146
10	160,000 (67)	121,250 (70.5)	113,750 (74)	107,500 (77)	98,000 (79)						See Warning Note 17
12	150,000 (63)	120,000 (67.5)	110,000 (71.5)	101,250 (75)	97,500 (77.5)	92,500 (79.5)					
15	117,600 (57.5)	102,000 (63)	102,000 (68)	91,850 (72)	90,000 (75)	84,250 (77)	71,250 (79)				
20	92,200 (47)	92,200 (54.5)	86,250 (61.5)	78,000 (67)	76,600 (70.5)	70,250 (73)	62,500 (75.5)	57,250 (77.5)	53,000 (79)	43,600 (80)	
25	73,600 (34)	73,600 (45.5)	73,600 (55)	64,900 (61.5)	58,000 (66)	57,050 (69.5)	54,000 (72)	52,000 (74.5)	48,000 (76)	40,700 (77.5)	24,500 (80)
30	56,000 (9)	56,000 (34)	56,000 (47.5)	56,000 (55.5)	49,300 (61)	46,500 (65)	44,700 (68.5)	43,200 (71)	42,650 (73)	34,750 (75)	22,400 (79)
35		49,040 (16.5)	49,040 (38.5)	49,040 (49.5)	43,500 (56)	38,100 (61)	35,650 (65)	34,500 (68)	34,000 (70)	30,150 (72)	20,700 (77)
40			39,690 (28.5)	39,690 (42.5)	38,850 (51)	33,800 (56.5)	31,600 (61)	29,950 (64.5)	27,950 (67)	26,400 (69.5)	19,300 (75)
45	See Warning Note 16		31,180 (8)	31,180 (34.5)	31,180 (45)	30,250 (52)	28,300 (57)	26,650 (61)	24,800 (64)	23,350 (66.5)	18,000 (72.5)
50				25,940 (24)	25,940 (38.5)	25,940 (47)	25,500 (53)	23,950 (57.5)	22,150 (61)	20,800 (63.5)	16,900 (70.5)
60					18,620 (20)	18,620 (35)	18,620 (43.5)	18,620 (49.5)	18,050 (54.5)	16,800 (57.5)	14,100 (66)
70						13,490 (16.5)	13,490 (32)	13,490 (41)	13,490 (47)	13,490 (51.5)	11,750 (61.5)
80							10,020 (12.5)	10,020 (29.5)	10,020 (44)	10,020 (57)	9,950 (57)
90								7,120 (7)	7,120 (27.5)	7,120 (35.5)	8,520 (52)
100										4,900 (24.5)	7,120 (46.5)
110											5,360 (40.5)
120											3,930 (33.5)
130											2,640 (24)
Min. boom angle (deg.) for indicated length (no load)											0
Max. boom length (ft.) at 0 degree boom angle (no load)											114

NOTE: Boom angles are in degrees.

A6-829-003838A & -003837A

ON OUTRIGGERS FULLY EXTENDED - OVER FRONT

Radius in Feet	Main Boom Length in Feet										114 ft. + 32 ft. Ext. (2° Offset)
	36	42	51	60	69	78	87	96	105	114	146
10	160,000 (67)	121,250 (70.5)	113,750 (74)	107,500 (77)	98,000 (79)						See Warning Note 17
12	150,000 (63)	120,000 (67.5)	110,000 (71.5)	101,250 (75)	97,500 (77.5)	92,500 (79.5)					
15	117,600 (57.5)	102,000 (63)	102,000 (68)	91,850 (72)	90,000 (75)	84,250 (77)	71,250 (79)				
20	92,200 (47)	92,200 (54.5)	86,250 (61.5)	78,000 (67)	76,600 (70.5)	70,250 (73)	62,500 (75.5)	57,250 (77.5)	53,000 (79)	43,600 (80)	
25	73,600 (34)	73,600 (45.5)	73,600 (55)	64,900 (61.5)	58,000 (66)	57,050 (69.5)	54,000 (72)	52,000 (74.5)	48,000 (76)	40,700 (77.5)	24,500 (80)
30	56,000 (9)	56,000 (34)	56,000 (47.5)	56,000 (55.5)	49,300 (61)	46,500 (65)	44,700 (68.5)	43,200 (71)	42,650 (73)	34,750 (75)	22,400 (79)
35		49,450 (16.5)	49,450 (38.5)	49,450 (49.5)	43,500 (56)	38,100 (61)	35,650 (65)	34,500 (68)	34,000 (70)	30,150 (72)	20,700 (77)
40			42,350 (28.5)	42,350 (42.5)	38,850 (51)	33,800 (56.5)	31,600 (61)	29,950 (64.5)	27,950 (67)	26,400 (69.5)	19,300 (75)
45	See Warning Note 16		36,000 (8)	36,000 (34.5)	34,950 (45)	30,250 (52)	23,300 (57)	26,650 (61)	24,800 (64)	23,350 (66.5)	18,000 (72.5)
50				31,700 (24)	31,500 (38.5)	27,300 (47)	25,500 (53)	23,950 (57.5)	22,150 (61)	20,800 (63.5)	16,900 (70.5)
60					24,500 (20)	22,600 (35)	21,100 (43.5)	19,650 (49.5)	18,050 (54.5)	16,800 (57.5)	14,100 (66)
70						19,100 (16.5)	17,850 (32)	16,400 (41)	14,900 (47)	13,750 (51.5)	11,750 (61.5)
80							14,360 (12.5)	13,900 (29.5)	12,500 (38.5)	11,400 (44)	9,950 (57)
90								9,420 (7)	9,420 (27.5)	9,420 (35.5)	8,520 (52)
100										7,950 (24.5)	7,120 (46.5)
110											5,950 (40.5)
120											4,960 (33.5)
130											4,110 (24)
Min. boom angle (deg.) for indicated length (no load)											0
Max. boom length (ft.) at 0 degree boom angle (no load)											114

NOTE: Boom angles are in degrees.

A6-829-003817A & -003837A



RT980

80 TON CAPACITY
36 ft. - 146 ft. BOOM

(FULL POWER)
PCSA CLASS 10-397
85% OF TIPPING

GROVE®

FULL HYDRAULIC
SELF-PROPELLED CRANE

RATED LIFTING CAPACITIES IN POUNDS

ON RUBBER CAPACITIES

Radius in Feet	Stationary Capacity	Stationary Capacity	Pick & Carry Cap. Up to 2.5 MPH
	Defined Arc (3) Over Front	360° Arc	Boom Centered (7) Over Front
10	100,000 (a)	80,000 (a)	92,360 (a)
12	87,500 (a)	66,700 (a)	81,560 (a)
15	73,850 (a)	50,350 (a)	68,800 (a)
20	58,850 (a)	33,320 (a)	53,790 (a)
25	47,400 (b)	22,980 (b)	44,000 (a)
30	38,950 (b)	15,290 (c)	35,570 (b)
35	30,490 (b)	10,880 (d)	29,710 (b)
40	23,780 (c)	7,960 (e)	23,780 (c)
45	19,070 (d)	5,610 (e)	16,400 (d)
50	15,600 (d)	3,940 (f)	13,960 (d)
60	10,300 (e)	1,320 (g)	9,820 (e)
70	6,820 (f)		6,820 (f)
80	4,550 (g)		4,550 (g)
90	2,610 (h)		
100	1,200 (i)		

A6-829-003769B

NOTES FOR RUBBER CAPACITIES

Maximum Permissible Boom Length:
(a) 36 ft. (f) 78 ft.
(b) 42 ft. (g) 87 ft.
(c) 51 ft. (h) 96 ft.
(d) 60 ft. (i) 114 ft.
(e) 69 ft.

		Main Boom 114 ft.	Main Boom 114ft. w/32 ft. Ext.
Front (no load)	Min. boom angle (deg) for indicated length	0	33
	Max. boom length (ft.) at 0 deg. boom angle	114	128
360 deg. (no load)	Min. boom angle (deg.) for indicated length	52	58
	Max. boom length (ft.) at 0 deg. boom angle	68.2	89

- Capacities are in pounds and do not exceed 85% of tipping loads as determined by test in accordance with SAE J-765.
- Capacities are applicable to machines equipped with 33.25x35 (32 ply) bias ply tires, at 80 psi cold inflation pressure (80 psi for 2.5 mph pick & carry capacities).
- (Defined Arc) - Over front includes $\pm 6^\circ$ on either side of longitudinal center-line of machine.
- Capacities appearing above bold line are based on structural strength and tipping should not be relied upon as a capacity limitation.
- Capacities are applicable only with machine on a firm level surface.
- On rubber lifting with boom extensions not permitted.
- For pick & carry operation, boom must be centered over front of machine and mechanical swing lock engaged. When handling loads in the structural range with capacities close to maximum ratings, travel should be reduced to creep speed.
- Axle lockouts must be functioning before lifting on rubber. (Check automatic lockout system for proper functioning: Refer to "Operation and Maintenance Manual" for description of a proper functioning axle lockout system).
- All lifting depends on proper tire inflation, capacity and condition. Capacities must be reduced for lower tire inflation pressures. Damaged tires are hazardous to safe operation of crane.



RT980

80 TON CAPACITY
36 ft. - 146 ft. BOOM
(FULL POWER)
PCSA CLASS 10-397
85% OF TIPPING

GROVE®

FULL HYDRAULIC SELF-PROPELLED CRANE

JIB CAPACITIES IN POUNDS 28 ft. JIB and 32 ft. EXT. Combination ON OUTRIGGERS - 360°

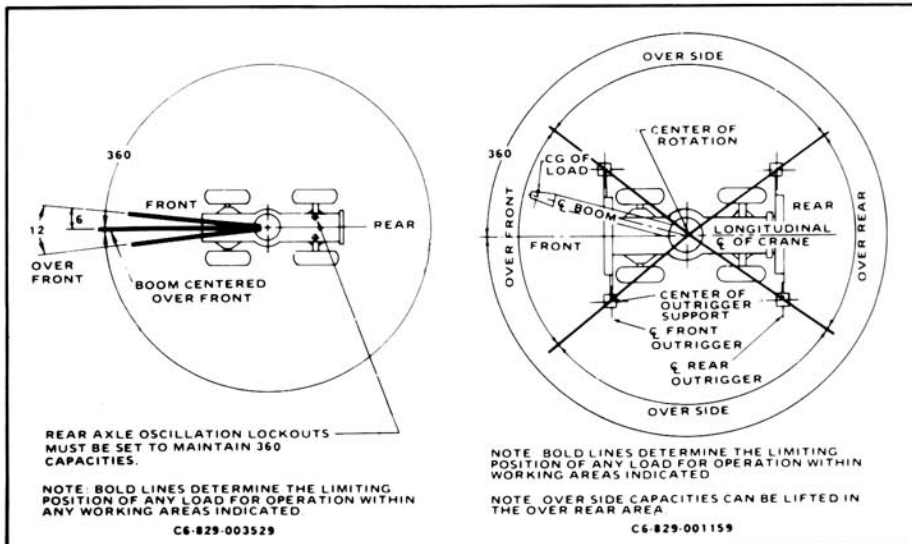
Boom Angle	5° OFFSET		17° OFFSET		30° OFFSET	
	Radius (Ref.) ft.	Caps. (lbs.)	Radius (Ref.) ft.	Caps. (lbs.)	Radius (Ref.) ft.	Caps. (lbs.)
80°	36.6	**11,000	39.5	9,200	42.9	7,000
75	50.7	**9,500	53.5	8,100	56.9	6,400
70	64.3	8,100	67.2	7,100	70.5	6,000
65	77.6	6,900	80.2	6,100	83.5	5,200
60	90.3	5,700	92.8	5,100	95.9	4,500
55	102.3	4,400	104.5	4,100	107.5	3,700
50	113.6	3,170	115.5	3,080	118.3	3,000
45	123.9	2,400	125.6	2,300	128.2	2,200
40	133.3	1,700	134.7	1,600	137.2	1,530
35	141.8	1,040	142.8	1,000	145.0	950

A6-829-003988E

NOTES FOR JIB CAPACITIES

- All capacities are in pounds. Capacities are based on structural strength of 28 ft. and 32 ft. boom extension combination at given main boom angle regardless of main boom length.
- **2. WARNING:** Capacities are to be lifted with two parts line only. All other capacities may be lifted with single part line.
- WARNING:** Operation of machine with heavier loads than the capacities listed is strictly prohibited. Machine tipping with jib occurs rapidly and without advance warning.
- 28 FT. JIB WARNING:** For main boom length greater than 105 ft. with 32 ft. boom extension and 28 ft. jib in working position, the boom angle must not be less than 30° since loss of stability will occur causing a tipping condition. The boom angle is not restricted for main boom length equal to or less than 105 ft. This warning applies for jib erection purposes also.
- WARNING:** Lifting on rubber with 32 ft. boom extension or 28 ft. jib and 32 ft. boom extension combination is prohibited.
- Reference radii listed are for fully extended main boom only.
- Capacities listed are with fully extended outriggers only.
- WARNING:** The Krueger LMI will not compensate for reeving/rigging accessories on the main boom nose or auxiliary boom nose when programmed to monitor the jib. Remove all reeving/rigging accessories from main boom when using jib.

LIFTING AREA DIAGRAM



NOTES FOR LIFTING CAPACITIES

GENERAL:

- Rated loads as shown on lift chart pertain to this machine as originally manufactured and equipped. Modifications to the machine or use of optional equipment other than that specified can result in a reduction of capacity.
- Construction equipment can be hazardous if improperly operated or maintained. Operation and maintenance of this machine shall be in compliance with the information in the operator's, parts, and safety manuals supplied with this machine. If these manuals are missing, order replacements from the manufacturer through the distributor.
- The operator and other personnel associated with this machine shall fully acquaint themselves with the latest applicable American National Standards Institute (ANSI) Safety Standards for cranes.

SETUP:

- The machine shall be leveled on a firm supporting surface. Depending on the nature of the supporting surface, it may be necessary to have structural supports under the outrigger floats or tires to spread the load to a larger bearing surface.
- For outrigger operation, outriggers shall be fully extended with tires raised free of crane weight before operating the boom or lifting loads.
- If machine is equipped with front jack cylinder, the front jack cylinder shall be set in accordance with written procedure.
- If machine is equipped with extendable counterweight, the counterweight shall be fully extended before operation.
- Tires shall be inflated to the recommended pressure before lifting on rubber.
- With certain boom and hoist tackle combinations, maximum capacities may not be obtainable with standard rope lengths.

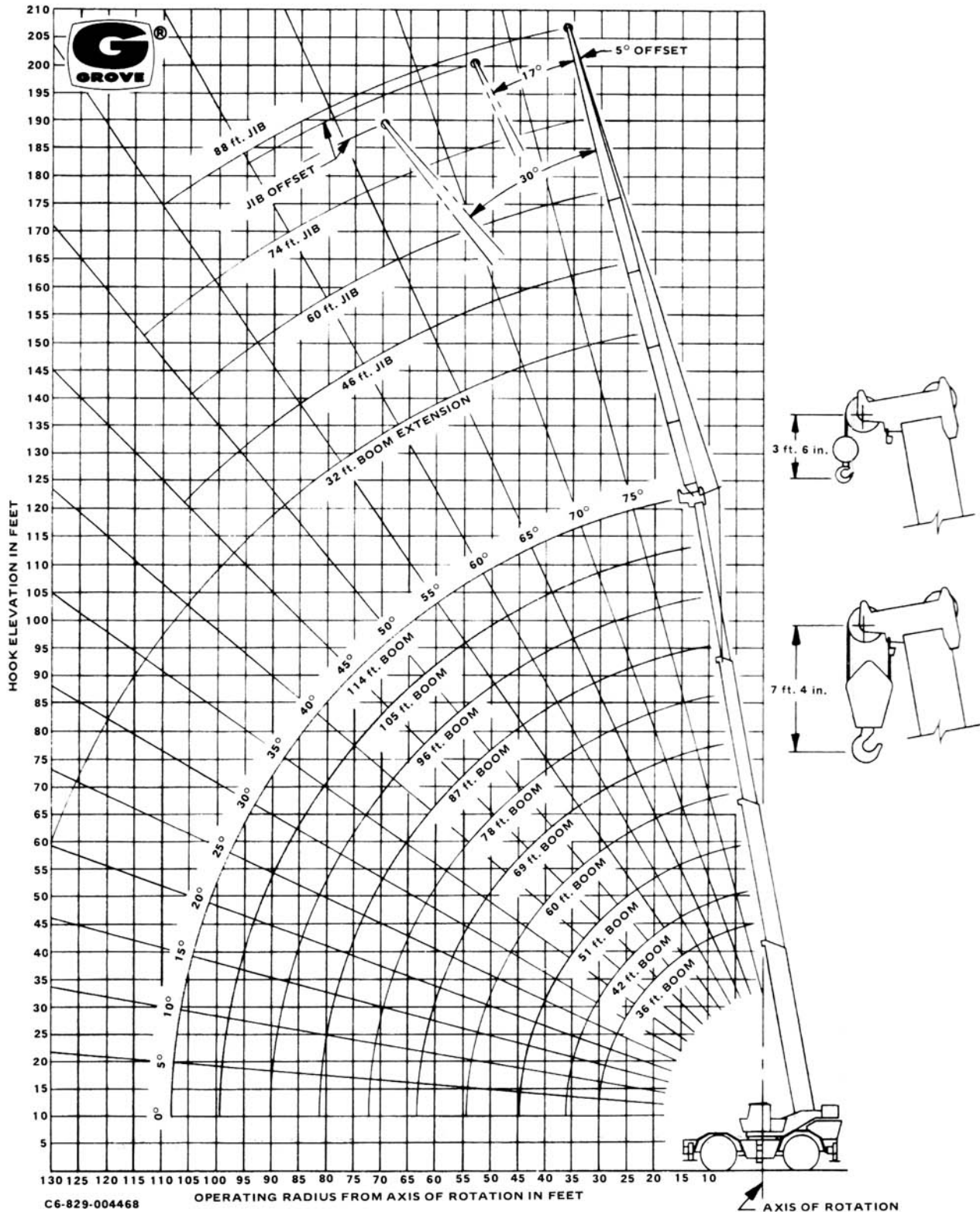
OPERATION:

- Rated loads at rated radius shall not be exceeded. Do not tip the machine to determine allowable loads. For clamshell or concrete bucket operation, weight of bucket and load must not exceed 80% of rated lifting capacities.
- Rated loads do not exceed 85% of the tipping load as determined by SAE Crane Stability Test Code J-765a.
- Rated loads include the weight of hook block, slings and auxiliary lifting devices and their weights shall be subtracted from the listed ratings to obtain the net load to be lifted.
- Load ratings are based on freely suspended loads. No attempt shall be made to move a load horizontally on the ground in any direction.
- Rated loads do not account for wind on lifted load or boom. It is recommended when wind velocity is above 20 mph (32 km/h), rated loads and boom lengths shall be appropriately reduced.
- Rated loads are for lift crane service only.
- Do not operate at a radius or boom length where capacities are not listed. At these positions, the machine may overturn without any load on the hook.
- The maximum load which can be telescoped is not definable because of variations in loadings and crane maintenance, but it is safe to attempt retraction and extension within the limits of the capacity chart.
- When either boom length or radius or both are between values listed, the smallest load shown at either the next larger radius or boom length shall be used.
- For safe operation, the user shall make due allowances for his particular job conditions, such as: soft or uneven ground, out of level conditions, high winds, side loads, pendulum action, jerking or sudden stopping of loads, hazardous conditions, experience of personnel, two machine lifts, traveling with loads, electric wires, etc. Side pull on boom or jib is extremely dangerous.
- Power telescoping boom sections must be extended equally at all times.
- Handling of personnel from the boom is not authorized except with equipment furnished and installed by Grove Manufacturing Company.
- Keep load handling devices a minimum of 12 inches (30 cm) below boom head when lowering or extending boom.
- Loaded boom angles give an approximation of the operating radius at specified boom lengths. The boom angle before loading should be greater to account for deflection.
- Capacities appearing above the bold line are based on structural strength and tipping should not be relied upon as a capacity limitation.
- Capacities for the 36 ft. (11.0 m) boom length shall be lifted with the boom fully retracted. If boom is not fully retracted, capacities shall not exceed those shown for the 42 ft. (12.8 m).
- For boom lengths less than 146 ft. (44.3 m) with 32 ft. boom extension erected, the rated loads are determined by boom angle only in the column headed by 146 ft. (44.3 m). For boom angles not shown, use rating of next lower boom angle.

DEFINITIONS:

- Operating Radius:** Horizontal distance from a projection of the axis of rotation to the supporting surface before loading to the center of the vertical hoist line or tackle with load applied.
- Loaded Boom Angle (Shown in Parenthesis on Main Boom Capacity Chart):** is the angle between the boom base section and the horizontal, after lifting the rated load at the rated radius.
- Working Area:** Areas measured in a circular arc about the center line of rotation as shown on the working area diagram.
- Freely Suspended Load:** Load hanging free with no direct external force applied except by the lift cable.
- Side Load:** Horizontal force applied to the lifted load either on the ground or in the air.

RANGE DIAGRAMS





RT980

88 ft. (26.8 m)
JIB CAPACITIES

GROVE®

FULL HYDRAULIC
SELF-PROPELLED CRANE

RATED LIFTING CAPACITIES ON OUTRIGGERS - 360°

Main Boom Angle	46 ft. JIB						60 ft. JIB						74 ft. JIB						88 ft. JIB					
	5° OFFSET		17° OFFSET		30° OFFSET		5° OFFSET		17° OFFSET		30° OFFSET		5° OFFSET		17° OFFSET		30° OFFSET		5° OFFSET		17° OFFSET		30° OFFSET	
	Ref. Rad.*	Load lbs.**	Ref. Rad.	Load lbs.	Ref. Rad.	Load lbs.	Ref. Rad.	Load lbs.	Ref. Rad.	Load lbs.	Ref. Rad.	Load lbs.	Ref. Rad.	Load lbs.	Ref. Rad.	Load lbs.	Ref. Rad.	Load lbs.	Ref. Rad.	Load lbs.	Ref. Rad.	Load lbs.	Ref. Rad.	Load lbs.
80°	31.3	17,800	41.4	15,100	50.1	10,700	36.4	13,400	48.9	10,300	59.4	7,170	39.8	10,300	55.0	7,380	68.8	5,230	44.3	7,960	62.4	5,110	78.8	3,170
77.5	38.1	16,900	47.8	14,600	56.1	10,200	43.6	12,600	55.8	9,840	66.1	6,720	47.8	9,620	62.7	6,920	75.8	4,870	52.7	7,260	70.2	4,670	85.9	2,900
75	44.8	16,200	54.1	14,100	62.1	9,710	50.7	12,000	62.7	9,400	72.7	6,340	55.8	8,960	70.2	6,500	82.5	4,550	60.9	6,620	78.0	4,270	92.9	2,650
72.5	51.2	15,500	60.2	13,600	67.9	9,280	57.8	11,300	69.4	9,000	79.0	6,010	63.5	8,360	77.6	6,120	89.2	4,280	69.1	6,050	85.6	3,910	99.7	2,430
70	57.8	14,900	66.3	13,200	73.7	8,870	64.7	10,800	76.0	8,630	85.3	5,730	71.2	7,820	84.8	5,780	95.8	4,030	77.1	5,530	93.1	3,570	106.3	2,220
67.5	64.1	13,300	72.2	11,500	79.2	8,510	71.4	10,200	82.4	8,300	91.4	5,480	78.8	7,330	92.0	5,460	102.1	3,820	84.9	5,050	100.3	3,250	112.8	2,040
65	70.3	11,200	78.0	9,940	84.7	8,170	78.1	9,630	88.8	8,000	97.3	5,260	86.2	6,880	98.9	5,170	108.2	3,630	92.7	4,620	107.4	2,950	119.0	1,880
62.5	76.4	9,580	83.7	8,580	89.9	7,860	84.6	8,180	94.8	7,160	103.1	5,060	93.4	6,470	105.7	4,910	114.1	3,460	100.2	4,230	114.3	2,660	124.9	1,730
60	82.4	8,220	89.2	7,440	95.0	6,890	90.9	6,990	100.8	6,200	108.7	4,890	100.5	5,970	112.2	4,670	119.8	3,300	107.6	3,870	121.0	2,400		
55	93.8	6,150	99.6	5,660	104.7	5,330	103.2	5,170	112.1	4,670	119.1	4,330	114.1	4,330	124.7	3,840			121.7	3,240				
50	104.6	4,650	109.3	4,340	113.5	4,140	114.5	3,840	122.6	3,520														
45	114.5	3,540	118.2	3,340	121.4	3,210																		

A6-829-004518B

JIB CAPACITY NOTES

- All capacities above the bold line are based on structural strength of jib and do not exceed 85% of tipping load, in accordance with SAE J-765.
- For all loads greater than 14,600 lbs. (6,620 kg) and/or equipped with Krueger LMI two part lifting service is required, at any other time single line or 2 part line lifting service may be used.
- Rated load is based on loaded main boom angle with reference to ground, regardless of main boom length. (Ref. radius in feet (meters) is for fully extended main boom and power fly extended to 114 ft. (34.6 m) boom length only. The Krueger LMI system will give an accurate radius indication for this condition only.)
WARNING: Operation of this machine with heavier loads than the capacities listed is strictly prohibited. Machine tipping with every jib occurs rapidly and without advance warning.
- 46 ft. (14.0 m) JIB WARNING: With 46 ft. (14.0 m) jib and main boom fully extended, the boom angle must not be less than 30° since loss of stability will occur causing a tipping condition.
- 60 ft. (18.3 m) JIB WARNING: With 60 ft. (18.3 m) jib and main boom fully extended, the boom angle must not be less than 35° since loss of stability will occur causing a tipping condition.
- 74 ft. (22.6 m) JIB WARNING: With 74 ft. (22.6 m) jib and main boom fully extended, the boom angle must not be less than 40° since loss of stability will occur causing a tipping condition.
- 88 ft. (26.8 m) JIB WARNING: With 88 ft. (26.8 m) jib and main boom fully extended, the boom angle must not be less than 40° since loss of stability will occur causing a tipping condition.
- JIB ERECTION NOTES: Maximum length of main boom including extended fly for purpose of erecting jib below 30° main boom angle is:
46 ft. (14.0 m) JIB — 102 ft. (31.1 m)
60 ft. (18.3 m) JIB — 99 ft. (30.2 m)
74 ft. (22.6 m) JIB — 94 ft. (28.6 m)
88 ft. (26.8 m) JIB — 88 ft. (26.8 m)
- Capacities listed are with fully extended outriggers only.

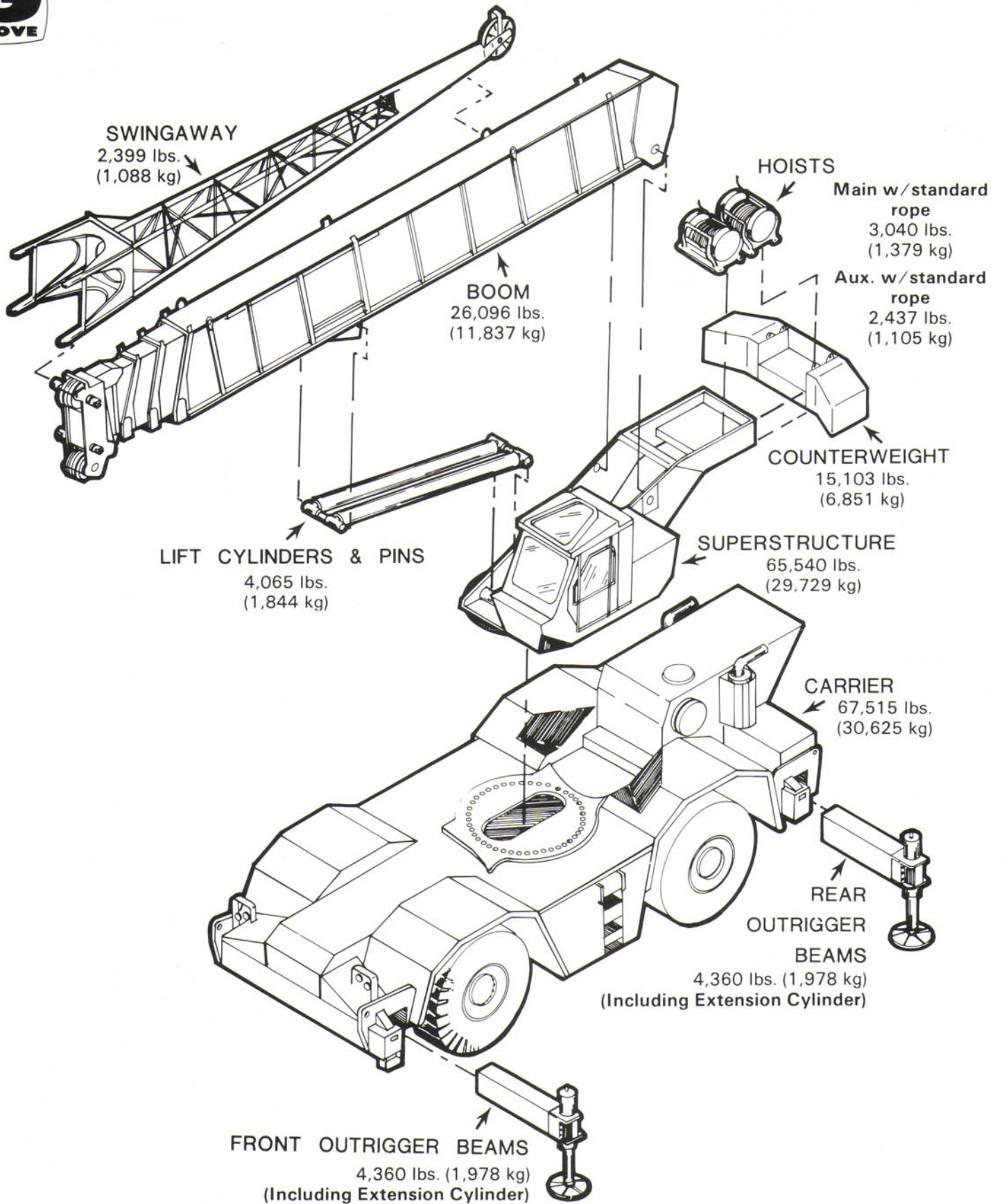
WEIGHT REDUCTION FOR LOAD HANDLING DEVICES

36 - 114 ft. Boom with:	lbs.	kg
†46 ft. Jib Erected -	12,059	5,470
†60 ft. Jib Erected -	18,014	8,171
†74 ft. Jib Erected -	25,077	11,375
†88 ft. Jib Erected -	33,236	15,076

HOOKBLOCK	lbs.	kg
15 Ton (13.6MT) 1 Sheave . . .	650	295
10 Ton (9.1MT) Headache Ball . . .	500	227
7½ Ton (6.8MT) Headache Ball . . .	300	136
Auxiliary Boom Head	220	100

†Reduction of main boom capacities.

NOTE: All Load Handling Devices and Boom Attachments are Considered Part of the Load and Suitable Allowances MUST BE MADE for Their Combined Weights.
Weights are for Grove furnished equipment.



RT980 WEIGHT REMOVAL DIAGRAM



SUPERSTRUCTURE SPECIFICATIONS

BOOM — 36 ft. - 146 ft. (11.0m - 44.3m) total length; 4-section trapezoidal main boom consisting of base section and three full power sections to 114 ft. (34.6m) and a 32 ft. (9.8m) "swingaway" lattice boom extension to 146 ft. (44.3m). Power is supplied by three 6½ in. (165mm) diameter bore double-acting cylinders with integral holding valves. Boom telescope sections are supported on Nylatron wear pads. Side adjustable wear pads prevent metal-to-metal contact of inner boom sections and permit ease of boom side alignment.

LATTICE BOOM EXTENSION — Standard 32 ft. (9.8m) lattice "swingaway" boom extension stows alongside base boom section. Boom extension swings into position; attaches and is held to main boom nose with 4 corner pins. Single metallic 19½ in. (495mm) tread diameter sheave with removable, pin-type rope guard and rope dead-end.

***JIBS** — 28 ft. (8.5m) A-frame jib attaches to sheave shaft of the 32 ft. (9.8m) lattice "swingaway" boom extension. Jib stows beneath extension alongside base boom section, or can be detached from "swingaway" and held firmly in place on base section when extension is used independently. Jib can be offset at 5°, 15° and 30°. Includes jib backstops, single rope self-equalizing suspension and removable pin-type rope guard. 14 ft. (4.3m) lattice base section combines with the standard 32 ft. (9.7m) lattice "swingaway" boom extension to make basic 46 ft. (14.0m) jib. Additional 14 ft. (4.3m) pinned inserts available to make 60 ft. (18.3m), 74 ft. (22.6m) and 88 ft. (26.8m) jib lengths. Mast, pendant lines attaching hardware and backstops included in the makeup of all jib lengths. Jib sheave mounted on tapered roller bearings. The jib is cable suspended and can be offset at 5°, 17° and 30°.

BOOM NOSE — Reinforced hi-strength steel construction. Six metallic load bearing sheaves, 19½ in. (495mm) tread diameter, mounted on heavy duty tapered roller bearings. Two metallic floating idler sheaves 19½ in. (495mm) tread diameter mounted on bronze bushings. Removable pin-type rope guards for easy reeving. Rope dead ends on either side of the boom.

***AUXILIARY BOOM NOSE** — Removable single metallic sheave, 19½ in. (495mm) tread diameter, mounted to main boom nose for single part line work. Equipped with a removable pin-type rope guard.

BOOM ELEVATION — Dual 11 in. (279mm) diameter bore, double-acting hydraulic cylinders with integral holding valves. Elevation -4° to 80°, combination controls for hand or foot operation.

SWING — Grove planetary speed reducer powered by a hydraulic high torque, low RPM orbit motor providing smooth/precise 360° continuous rotation. Equipped with Grove "glide swing" with foot-activated multiple disc swing brake for precision stopping. Electric/hydraulic swing parking brake and hand-operated 360° positive swing lock controlled from operator's cab. Externally driven sealed gear bearing. Precision machined bearing mounting surface prevents distortion of swing circle bearing. Maximum speed 1.8 RPM.

CAB — Turntable-mounted. Fully enclosed, all steel with acoustical treatment. Full vision with tinted safety glass throughout, hinged skylight, sliding left side door and sliding right side window for ventilation. Dash-mounted control levers, combination hand and foot controls for boom elevation and engine throttle, outrigger sight leveling bubble, electronic boom angle indicator with high and low angle presets and A/V warning, electric windshield washer/wiper, steering wheel-mounted electric horn, door and window locks, domelight, dashlight, 2½ lb. (1.3kg) dry-type fire extinguisher, cab mounted worklights, 20,000 BTU/Hr. diesel fuel heater, forced hot air defroster.

CONTROLS — Left of steering wheel are dash-mounted hand-operated control levers for swing, and boom-telescope; at right are control levers for rear steer, boom elevation, auxiliary hoist, main hoist and *free-fall control. Foot-operated controls include dynamic swing brake, boom elevation, service brakes and engine throttle. Operator's right hand console includes transmission gear selection, high-low range selector, hand throttle, outrigger controls, sight leveling bubble, heater controls, console panel lights, engine start/stop. Additional dash-mounted controls include electric manual oscillation lockout override, worklights, master ignition and rear steer alignment indicator.

CAB INSTRUMENTATION — International gauges. Engine water temperature, fuel level, oil pressure, air pressure, tachometer, transmission and torque converter oil temperature and pressure, A/V warning for low air system pressure, and parking brake indicator.

COUNTERWEIGHT — Removable, bolted to turntable mast, stationary. Weight varies dependent on hoist configuration. (Refer to Axle Weight Distribution Chart).

***LOAD MOMENT & ANTI-TWO BLOCK SYSTEM (KRUEGER)** - Audio-visual warning in combination with Grove control lever lockout of: hoist-up, telescope out and boom down crane functions. Krueger LMI control console provides operator with selective display of boom length, radius and angle. *A separate Grove anti-two block system can be obtained independent of the complete Krueger LMI, and is available with audio-visual warning only or audio-visual warning in combination with Grove control lever lockout of: hoist-up, telescope out and boom down crane functions.

*Denotes optional equipment

† Patented Grove feature or patent pending



CHASSIS SPECIFICATIONS

MAIN FRAME — All welded double parallel box beam construction with boxed cross-members to the rear of the frame and triple box construction to the front of the frame reinforced at critical points to resist torsional stresses and provide a strong, rigid lifting base. Precision machined bearing mounting surface prevents distortion of swing bearing. Front and rear combination lifting/towing and tie-down lugs are integral with main frame.

OUTRIGGERS — Front and rear hydraulic double-box integral with main frame; telescoping beams extend to 24 ft. (7.3m) center-to-center and retract to 12 ft. (3.7m) by 3 in. (76mm) bore double-acting cylinders. 23½ in. (597mm) stroke 7 in. (177mm) bore double-acting vertical jacks with integral check valves for quick leveling on uneven terrain. Vertical jacks equipped with removable, stowable, lightweight, high strength 30 in. (762mm) diameter steel floats. All outrigger controls located in operator's cab. Required sequence control arrangement eliminates unintentional outrigger actuation. In addition to the standard integral holding valve and for added security, the exclusive Grove *spin-lock is offered which permits the outrigger vertical jack to be mechanically locked in any position throughout its stroke.

TRANSMISSION & TORQUE CONVERTER — Remote mounted full powershift transmission with six speeds forward and reverse with rear axle disconnect. Engine-mounted torque converter 2.16:1 stall ratio with PTO for hydraulic pumps.

SPEEDS — 6 forward and 6 reverse
(3 speeds - High range — 2-wheel drive)
(3 speeds - Low range — 4-wheel drive)

AXLES — Front: planetary drive/steer type mounted rigid to the frame. Total reduction ratio 32.07:1.

Rear: planetary drive/steer type mounted to allow 0 in. to 12 in. (305mm) oscillation for rough terrain negotiation. Total reduction ratio 32.07:1. Equipped with no-spin differential.

HYDRAULIC OSCILLATION LOCKOUT — Automatic, full hydraulic on rear axle. Permits rear axle oscillation only with boom over front. Rear axle lockout assures a rigid lifting platform when lifting on-rubber over-the-side. Manually-activated electric override control.

STEERING — Front — power assist hydraulic; controlled by steering wheel. Dual steering cylinders.

Rear — full hydraulic, tiller bar control. Dual steering cylinders. Independent front and rear steer control allows operator to choose mode of travel for optimum "on the move" maneuverability. Four modes available are: independent front wheel steer, independent rear wheel steer, 4-wheel coordinated steer and 4-wheel crab steer. *Electric emergency power steering system provides power steering in the event of engine failure by means of a direct current motor powered by the crane's starter battery and energized when the power steering system pressure drops below a predetermined level. Warning light on dash indicates an energized emergency power steering system. Rear wheel steer alignment indicator provided.

SERVICE BRAKES — Full air on all four wheels. Size 28 in. x 8 in. (711mm x 203mm) with a total lining area of 896 sq. in. (5781cm²). Air dryer prevents moisture in the system for maximum braking efficiency. Equipped with a dual brake system for emergency backup air.

PARKING BRAKES — Spring-set emergency/parking brakes on all four wheels.

TIRES — 33.25 x 35 — 32 PR (E-3) Earthmover type, tubeless.

***TOW WINCH** — Braden PD15 cab-controlled, tow winch (less rope and hook), front mounted. Single line pull — 15,000 lbs. (6804kg); single line speed — 58.9FPM (17.9m/min.). Drum rope storage capacity of 340 ft. (103.6m) of ¾ in. dia. (16mm) rope.

HYDRAULIC SYSTEM:

RESERVOIR: 375 gallon (1419 liter) capacity, all-steel fabrication with internal baffles, clean-out access, exterior oil sight level gauge. Strap-mounted to frame to reduce high stress levels at corner welds. In-tank hydraulic oil temperature gauge.

FILTER — Tank mounted, return line replaceable cartridge with bypass protection and filter bypass indicator. 25 micron rating.

PUMPS — Two triple main gear pumps, (6 sections) 317 GPM (1120 LPM) combined capacity. Power steering pump 37 GPM (140 LPM) capacity. Pump disconnects for both main pumps are spring loaded to facilitate ease of engagement.

CONTROL VALVES — Precision four-way double-acting with integral load holding, main and circuit relief valves. Six individual valve banks permitting simultaneous independent control. Maximum operating pressure 2500 PSI (175.8kg/cm²).

OIL COOLER — Turntable-mounted, full flow, oil to air with thermally controlled hydraulic motor driven fan.

POWER DISTRIBUTION — Main hoist, auxiliary hoist boost — 51 GPM (193 LPM) @ 2500 psi (175.8kg/cm²); main hoist boost, auxiliary hoist, lift boost, inner mid telescope — 51 GPM (193 LPM) @ 2500 psi (175.8kg/cm²); lift — 51 GPM (193 LPM) @ 2500 psi (175.8kg/cm²); rear steer, outer mid telescope — 51 GPM (193 LPM) @ 2500 psi (175.8kg/cm²), fly telescope — 51 GPM (193 LPM) @ 2500 psi (175.8kg/cm²), swing, outriggers — 25 GPM (94.6 LPM) @ 2250 psi (158.1kg/cm²).

MISCELLANEOUS STANDARD EQUIPMENT — Complete light package, tool box and storage compartment, fenders, hook-block tie-down, combination lifting lugs, tow loops and tie-down attachments, front and rear pintle hook mounting brackets (less pintle hooks), ether injection cold start aid (less canister), engine air cleaner restriction indicator, audio-visual low boom angle swing alarm system, rear view mirrors, storage installation for removable windshield, hydraulic test panel, 3¾ lb. (1.7kg) dry type fire extinguisher, tire inflation kit.

MISCELLANEOUS OPTIONAL EQUIPMENT — Automatic, backup alarm, front and/or rear pintle hooks, hoist drum cable followers, pick and carry counterweight package.

**Denotes optional equipment*

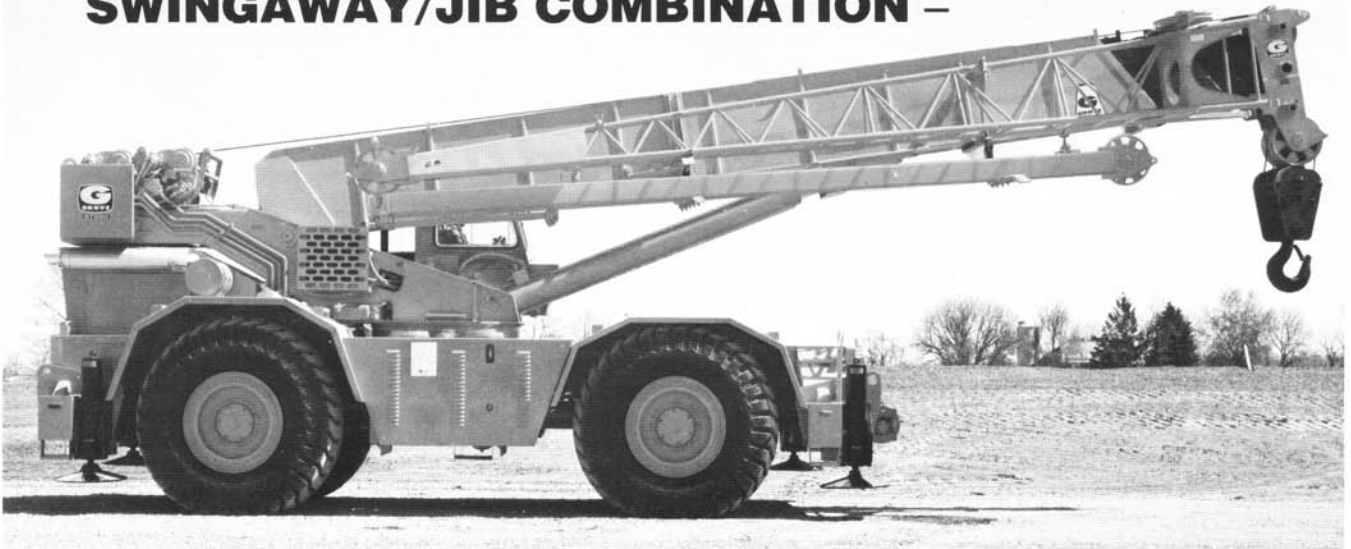
HOIST SPECIFICATIONS

DESCRIPTION: Power up and down, equal speed, planetary reduction with integral automatic brake and electronic rotation indicators.			
HOIST DATA	MAIN HOIST Grove Model HO30B-26	AUXILIARY HOIST Grove Model HO30B-16	*AUXILIARY HOIST Gearmatic Model 23 MGECR (Controlled Free Fall)
Drum Dimensions	16 in. dia (406mm) 26 in. length (660mm) 24 in. flange dia. (610mm)	16 in. dia. (406mm) 16 in. length (406mm) 24 in. flange dia. (610mm)	14.5 in. dia. (368mm) 16 in. length (406mm) 22.3 in. flange dia. (568mm)
Performance: Max. Single Line Speed	Hi-Speed Range 575 FPM (175m/min)	Lo-Speed Range 290 FPM (88m/min)	Hi-Speed Range 575 FPM (175m/min)
Max. Single Line Pull	8,400 lbs. (3810kg)	16,800 lbs. (7620kg)	422 FPM (129m/min)
Drum Rope Storage Capacity	**1,060 ft. of 3/4 in. dia. rope (323m of 19mm)	**650 ft. of 3/4 in. dia. rope (198m of 19mm)	**700 ft. of 5/8 in. dia. rope (213m of 16mm)
Permissible Single Line Rope Pull	3/4 in. (19mm) 18x19 class – 14,605 lbs. (6625kg)	3/4 in. (19mm) 18x19 class – 14,605 lbs. (6625kg)	5/8 in. (16mm) 18x19 class – 10,207 lbs. (4630kg)

**Denotes optional equipment. Auxiliary hoist control valve is standard equipment.*

***6th layer of rope not recommended for hoisting operation (7th layer for Gearmatic Model 23 Auxiliary Hoist).*

THREE MODES OF THE GROVE RT980 SWINGAWAY/JIB COMBINATION –



The 32 ft. Swingaway and optional 28 ft. A-frame jib can provide the RT980 with an additional 60 ft. of reach capability, conveniently stowed on the crane. The three different modes of this combination are:

1. Lifting from the main boom with the Swingaway extension and jib stowed alongside the base boom section.

2. Lifting from the main boom or Swingaway with the Swingaway erected and the jib stowed alongside the base boom section.

3. Lifting from the main boom, Swingaway, or jib with both Swingaway and jib erected.

ENGINE SPECIFICATIONS

MAKE & MODEL	Detroit Diesel 6-7IT	*Cummins NT-855	*Caterpillar 3306TA
TYPE	6 cylinder O.H.V.	6 cylinder O.H.V.	6 cylinder O.H.V.
BORE	4.25 in. (108mm)	5.5 in (140mm)	4.75 in. (121mm)
STROKE	5 in. (127mm)	6 in. (152mm)	6 in. (152mm)
DISPLACEMENT	426 cu. in. (6982cm ³)	855 cu. in. (14010cm ³)	638 cu. in. (10 454cm ³)
HORSEPOWER (NET)	230	219	230
GOVERNED RPM	2100	2100	2100
TORQUE (NET)	672 ft. lb. (92.9kg.m) @ 1600	696 ft. lb. (96.2kg.m) @ 1500	667 ft. lb. (92.2kg.m) @ 1450
ELECTRICAL SYSTEM	12 volt, neg. grd.	12 volt, neg. grd.	12 volt, neg. grd.
STARTING SYSTEM	24 volt	24 volt	24 volt
COMBUSTION SYSTEM	2 cycle w/blower and turbo-charger	4 cycle w/turbo-charger	4 cycle w/turbo-charger and aftercooler
COOLING SYSTEM (CAP.)	Liquid - 14.5 gal. (54.9 liters)	Liquid - 14 gal. (53 liters)	Liquid - 14.25 gal. (53.9 liters)
FUEL CAPACITY	100 gallons (379 liters)	100 gallons (379 liters)	100 gallons (379 liters)
ALTERNATOR	90 AMP	90 AMP	90 AMP
BATTERY	•(4) 475 CCA @ 0°F	•(4) 475 CCA @ 0°F	•(4) 475 CCA @ 0°F
AIR CLEANER	Dry type	Dry type	Dry type
AIR COMPRESSOR	12 CFM	13.2 CFM	12 CFM
HOURLY METER	Standard	Standard	Standard

•CCA = cold cranking amperage

*Denotes optional equipment

AXLE WEIGHT DISTRIBUTION CHART

ITEM	POUNDS			KILOGRAMS		
	GROSS	FRONT	REAR	GROSS	FRONT	REAR
Basic standard machine to include: 36 ft. - 114 ft. (11.0m - 34.6m) 4-section Trapezoidal main boom, 32 ft. (9.8m) Swingaway section, HO30B-26 main hoist with 750 ft. (228.6m) of ¾ in. (19mm) dia. rope, HO30B-16 auxiliary hoist with *550 ft. (167.6m) of ¾ in. (19mm) dia. rope, Detroit diesel 6-7IT engine, •15,103 lbs. (6851kg) counterweight, 33.25x35-32 P.R. tires	131,729	61,982	69,747	59,752	28,115	31,637
ADD:						
Auxiliary boom nose	+220	+552	-332	+100	+250	-150
28 ft. (8.5m) A-frame jib (stowed)	+1,582	+1,739	-157	+718	+789	-71
80 ton (73mt) hook block	+1,970	+4,731	-2,761	+894	+2146	-1252
Braden front mounted tow winch	+936	+1,390	-454	+425	+631	-206
20,000 lbs. (9,072kg) frame-mounted counterweight	+20,000	-10,810	+30,810	+9072	-4903	+13 975
Brackets for frame-mounted counterweight	+1,025	-462	+1,487	+465	-210	+675
Front carry deck	+1,365	+1,586	-221	+619	+719	-100
SUBSTITUTE:						
••• Gearmatic Model 23 MGECR auxiliary hoist with 550 ft. (167.6m) of ¾ in. (16mm) dia. rope	-686	+254	-940	-311	+115	-426
••• 15,513 lbs. (7037kg) counterweight	+410	-151	+561	+186	-68	+254
•• 16,863 lbs. (7649kg) counterweight	+1,760	-647	+2,407	+798	-294	+1092
Cummins NT-855 engine	+546	-73	+619	+248	-33	+281
Caterpillar 3306TA engine	-	-36	+36	-	-16	+16
REMOVE:						
• HO30B-16 auxiliary hoist with 550 ft. (167.6m) of ¾ in. (19mm) dia. rope	-2,437	+902	-3,339	-1105	+410	-1515
32 ft. (9.8m) Swingaway section	-2,465	-3,467	+1,002	-1118	-1573	+455
36 ft. - 114 ft. (11.0m - 34.6m) 4-section boom	-24,510	-28,965	+4,455	-11 118	-13 139	+2021
36 ft. - 114 ft. (11.0m - 34.6m) 4-section boom and lift cylinders	-28,575	-32,435	+3,860	-12 962	-14 713	+1751
Tires and wheels	-11,900	-5,950	-5,950	-5398	-2699	-2699
Outrigger beams and jacks (front)	-4,360	-5,963	+1,603	-1978	-2705	+727
Outrigger beams and jacks (rear)	-4,360	+1,603	-5,963	-1978	+727	-2705
• 15,103 lbs. (6851kg) counterweight	-15,103	+5,551	-20,654	-6851	+2518	-9369

NOTE: Appropriate counterweight substitutions must be made depending on main and auxiliary hoist configuration specified.

- 15,103 lbs. (6851kg) counterweight used with HO30B-26 main hoist and HO30B-16 auxiliary hoist.
- 16,863 lbs. (7649kg) counterweight used with HO30B-26 main hoist only.
- 15,513 lbs. (7037kg) counterweight used with HO30B-26 main hoist and model 23 MGECR auxiliary hoist.

RT980

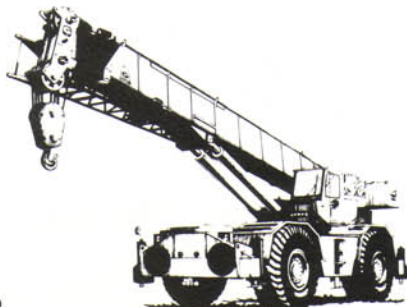


AXLE WEIGHT DISTRIBUTION FOR COMPONENT PARTS

ITEM	POUNDS			KILOGRAMS		
	GROSS	FRONT	REAR	GROSS	FRONT	REAR
Carrier Complete	67,515	28,404	39,111	30,625	12,884	17,741
Superstructure Complete	65,540	35,343	30,197	29,729	16,032	13,697
Complete Basic Crane	133,055	63,747	69,308	60,354	28,916	31,438
Component Reduction Weights						
Carrier:						
Remove:						
-Front Outrigger Beams (2)	-4,360	-5,963	+1,603	-1,978	-2,705	+727
-Rear Outrigger Beams (2)	-4,360	+1,603	-5,963	-1,978	+727	-2,705
-Tires and Wheels	-11,900	-5,950	-5,950	-5,398	-2,699	-2,698
Superstructure:						
Remove:						
-Boom (36' - 114') 4 Section, Full Power	-26,096	-31,051	+4,955	-11,837	-14,085	+2,248
-Lift Cylinders and Pins	-4,065	-3,470	-595	-1,844	-1,574	-270
-HO30B-16 Aux. Hoist with Cable	-2,437	+935	-3,372	-1,105	+425	-1,530
-HO30B-26 Main Hoist with Cable	-3,040	+674	-3,714	-1,379	+306	-1,685
-32 ft. Swingaway	-2,399	-3,367	+968	-1,088	-1,527	+439
-15,103 lbs. Std. Counterweight	-15,103	+5,633	-20,736	-6,851	+2,555	-9,406
OPTIONAL EQUIPMENT						
Add:						
-80 Ton Hookblock	+1,970	+4,731	-2,761	+894	+2,146	-1,252
Auxiliary boom head	+230	+605	-375	+104	+274	-170
-28 ft. A-Frame Jib	+1,730	+2,031	-301	+785	+921	-136
-Krueger L.M.I.	+376	+136	+240	+171	+62	+109
Substitute:						
-Cummins NT-855	+545	-74	+619	+248	-33	+281
-Cat 3306 TA	0	-36	+36	0	-16	+16
-Aux. Counterweight (15,513 lbs.) (Use with Gearmatic Hoist)	-1,350	+503	-1,853	-613	+228	-841
-Gearmatic 34 Aux. Hoist with Cable and C.F.F.	-686	+263	-949	-311	+119	-430

THIS CHART IS DEVELOPED TO DETERMINE AXLE WEIGHT DISTRIBUTION FOR VARIOUS CRANE CONFIGURATIONS AND ROAD REGULATIONS.

NOTE: OUTRIGGER FLOATS ARE INCLUDED IN CARRIER WEIGHT - 92 LBS. (42 kg) EACH.



NOTE: WEIGHTS SHOWN ARE SUBJECT TO CHANGE